

Product Brochure For V330

## Safeway Mechanical/Hydraulic Machine Vice - PHV-130

130mm Jaw Width  
 225mm Jaw Opening

**On Sale**

<b>Ex GST</b>	<b>Inc GST</b>
<b>\$1,350.00</b>	<b>\$1,485.00</b>
<b>\$1,250.00</b>	<b>\$1,375.00</b>



ORDER CODE:	V330
MODEL:	PHV-130
C - Jaw Width (mm):	130
Max. - Jaw Opening (mm):	225
F - Jaw Height (mm):	55
Max. Pressure (kgf):	3500
A (mm):	505
B (mm):	190
D (mm):	170
E (mm):	127
G (mm):	72
H (mm):	163
I (mm):	36
J (mm):	95
K (mm):	290
L (mm):	106
M (mm):	180
N (mm):	250
O (mm):	160
P (mm):	695
Q (mm):	570
X (mm):	18
Keyway (W) (mm):	16
Nett Weight (kg):	37



### Description

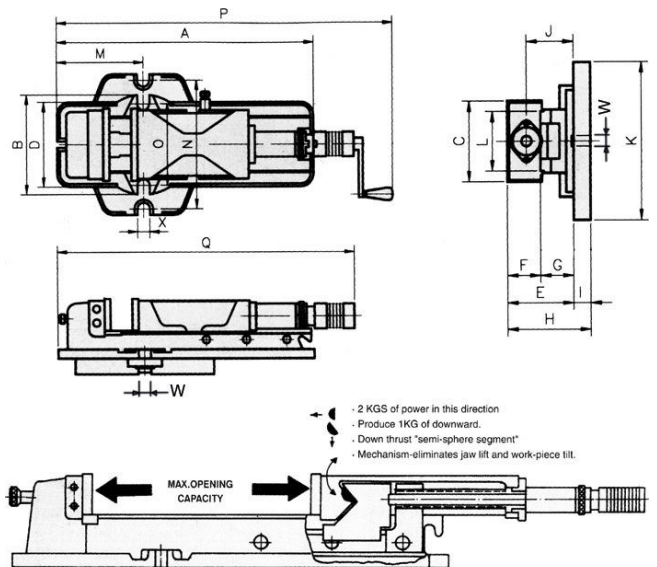
Precision manufactured from rigid material - Ductile iron FCD60JIS (equal to GGG60) with 60kg/mm2 or 80,000 psi tensile strength. All Safeway vices are precision ground and the surfaces set to the tolerances set out below. This allows these vices to be used in pairs and multiple configurations.

### Features

- Flame-hardened to HRC 45 to take up wear and maintain accuracy
- The semi-sphere segment eliminates movable jaw lifting and creates a down force of 1kg for every 2kg of clamping force, preventing the work piece from tilting
- The hydraulic cylinder is mounted externally for easy maintenance
- Large clamping range through screw adjustment and 3 pin positions in the base.
- The vice can be used in either a mechanical mode or in a hydraulic mode.

### Optional Accessories

- Safeway vices can be fitted with Special Application Jaw Plates, Soft Jaws, Serrated Jaws, Prismatic Jaws, Extended Jaws, etc.



Product Brochure For V330

**Specific Features**



Front View



Hydraulic Tension with Handle



Knurled Head Lifting Pins



3 Pin Position Clamping Range



Removable Jaws

**Recommended Accessories**

V331  
 Mechanical/Hydraulic Machine  
 Vice Base

V3197  
 Safeway Stepped Hardened  
 Jaws - 130mm

V3202  
 Safeway Standard Hardened  
 Jaws - 130mm

V3211  
 Safeway Serrated Hardened  
 Jaws - 130mm

