

Product Brochure For V332

## Safeway Mechanical/Hydraulic Machine Vice - PHV-160

160mm Jaw Width  
 310mm Jaw Opening

**On Sale**

Ex GST	Inc GST
<b>\$1,450.00</b>	<b>\$1,595.00</b>
<b>\$1,350.00</b>	<b>\$1,485.00</b>



ORDER CODE:	V332
MODEL:	PHV-160
C - Jaw Width (mm):	160
Max. - Jaw Opening (mm):	310
F - Jaw Height (mm):	58
Max. Pressure (kgf):	4000
A (mm):	625
B (mm):	240
D (mm):	205
E (mm):	140
G (mm):	82
H (mm):	179
I (mm):	39
J (mm):	105
K (mm):	340
L (mm):	125
M (mm):	208
N (mm):	300
O (mm):	196
P (mm):	750
Q (mm):	640
X (mm):	18
Keyway (W) (mm):	16
Nett Weight (kg):	57

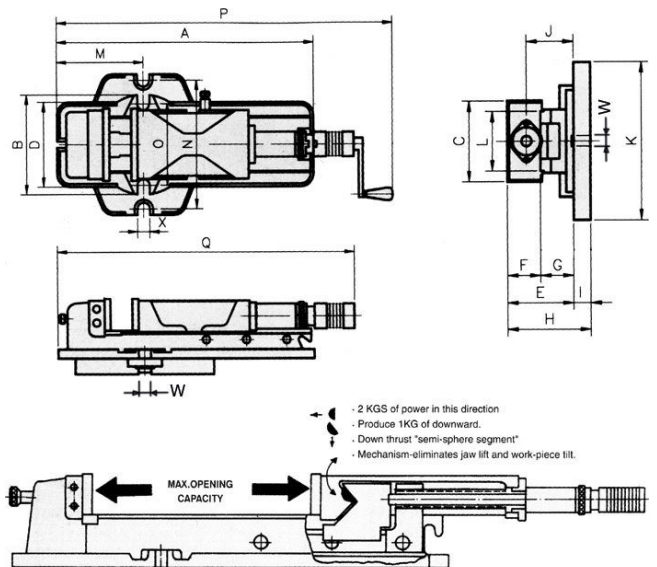


### Description

160mm MECHANICAL/HYDRAULIC MACHINE VICE: Precision manufactured from rigid material - Ductile iron FCD60JIS (equal to GGG60) with 60kg/mm<sup>2</sup> or 80,000 psi tensile strength. ;All Safeway vices are precision ground and the surfaces set to the tolerances set out below. This allows these vices to be used in pairs and multiple configurations.

### Features

- Flame-hardened to HRC 45 to take up wear and maintain accuracy
- The semi-sphere segment eliminates movable jaw lifting and creates a down force of 1kg for every 2kg of clamping force, preventing the work piece from tilting
- The hydraulic cylinder is mounted externally for easy maintenance
- Large clamping range through screw adjustment and 3 pin positions in the base.
- The vise can be used in either a mechanical mode or in a hydraulic mode



Product Brochure For V332

**Specific Features**



Front View



Hydraulic Tension with Handle



Knurled Head Lifting Pins



3 Pin Position Clamping Range



Removable Jaws

**Recommended Accessories**

V333  
 Mechanical/Hydraulic Machine  
 Vice Base

V3203  
 Safeway Standard Hardened  
 Jaws - 160mm

V3204  
 Safeway End Mount Hardened  
 Jaws - 160mm

V3212  
 Safeway Serrated Hardened  
 Jaws - 160mm



Product Brochure For V332

---

V3208

Safeway Vee Hardened Jaw -  
160mm

