

Product Brochure For W07748

## BuildPro Levelling Caster - 1 Piece - TMLC600

500kg Load Capacity

**Ex GST**  
**\$130.00**

**Inc GST**  
**\$143.00**



ORDER CODE:	W07748
MODEL:	TMLC600
Quantity of Wheels in Pack (No.):	1
Wheel Type:	~
Wheel Diameter (mm):	~
Wheel Width (mm):	~
Total Height to Top of Plate (mm):	~
Load Capacity per Wheel (kg):	~
Load Capacity per Set (kg):	~
Nett Weight (kg):	1.95

**BuildPro™**



### Description

Your BuildPro™ table can be both mobile and fully stationary. These compact, heavy duty levelling casters are the simple way to move and level your BuildPro™ Welding Table. Turn the thumbwheel to lower the wheels and move the table. (Sold individually)

Mobility Caster: Durable caster rolls smoothly on precision ball bearings, with non-marking, non-marring nylon polymer wheels. Dual toe-step braking system can be set for "no-swivel + no-roll". This caster will add 146mm to your total tabletop surface height.

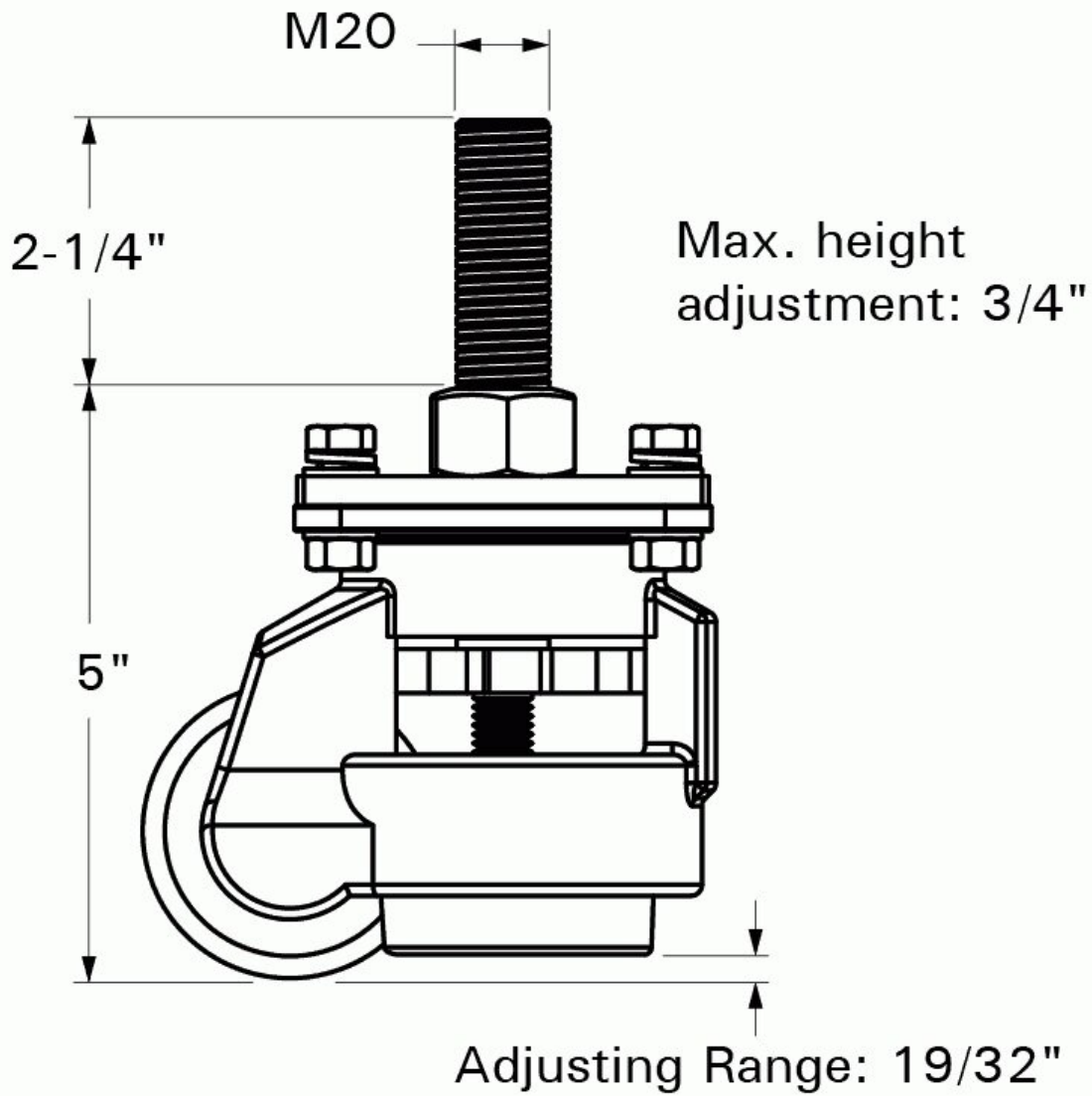
### Features

- M20 Thread
- 500kg Load Capacity
- 19mm Maximum height adjustment

### Includes

- 1 x TMLC600 Levelling Caster

Product Brochure For W07748

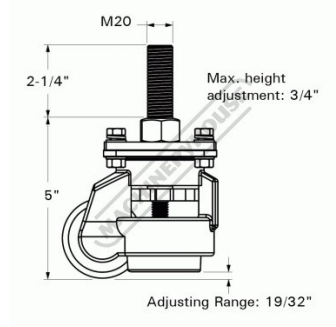


Product Brochure For W07748

**Specific Features**



Shown on Leg



Drawing

**Recommended Accessories**

**W07742**

BuildPro HD Table Leg - 1 Piece



**W07720A**

2560 x 1250mm BuildPro Modular Welding Table - Standard Finish



**W07716A**

1960 x 1000mm BuildPro Modular Welding Table - Standard Finish



**W07712A**

1160 x 1000mm BuildPro Modular Welding Table - Standard Finish



**W07749**

BuildPro Levelling Pad for Tabletop - 1 Piece

