

Product Brochure For W07804

2000 x 1000mm M16 Pro Series Welding Table - WT16-2010

Ø16mm Holes

On Sale

Ex GST

Inc GST

~~\$3,850.00~~

~~\$4,235.00~~

\$3,490.00

\$3,839.00



ORDER CODE:	W07804
MODEL:	WT16-2010
Table Top Finish (Type):	S355 plate steel
Table Top Size (mm):	2000 x 1000
Table Height (mm):	900
Table Side Height (mm):	100
Top Plate Thickness (mm):	12
Grid Pattern (mm):	50 x 50
Table Hole Diameter (Ø):	16
Table Slots (mm):	~
Static Load Capacity (kg):	2000
Total W.L.L. (kg):	~
Number of Legs (No.):	4
Nett Weight (kg):	315

METALMASTER



Description

The Metalmaster M16 Pro Series welding tables features a welded & ribbed construction from heavy S355 plate steel, the frame is then CNC machined with the sides & top having a finished nominal thickness of 12mm. The CNC machining process is able to achieve a high flatness tolerance of +/- 0.1mm over 1m² to give you a smooth precision welding surface. During this CNC machining process, the Ø16mm holes are precision bored to ensure a hole distance tolerance of +/- 0.05mm & with an industry standard 50 x 50mm hole pattern it gives you a multitude of fixture holes to suit your application. Before removing the table from the machining centre, we engrave 50mm grid lines to give you millimetre precision helping you minimise mistakes while increasing productivity.

Our Pro Series tables have been designed with interlocking solid steel ribs & 100mm high sides to maintain rigidity with substantial load capacity for all medium sized fabrication projects. The hole spacing is an industry standard 50mm giving you almost endless possibilities for both welding and clamping applications. The table also comes complete with powder coated round steel tube legs complete with levelling feet ensuring a stable working surface.

This model is designed for those budget minded customers wanting a table the same tolerances & accuracy as our deluxe M16 Pro Series range but without all the bells & whistles of the nitride coating & perimeter engraving.

Choose from our wide range of optional Pro Series clamping kits & fixturing accessories to add to your table giving you the ultimate welding & fixturing system so when you go into battle with your next fabrication project it's a knockout.

Features

- Tabletop & sides manufactured from heavy S355 plate steel
- Precision CNC machined to ensure flatness of +/- 0.1mm over 1m²
- Ø16mm Precision bored fixing holes at 50mm centres
- 50 x 50mm hole grid pattern offering a multitude of clamping options
- 50mm engraved grid lines

Includes

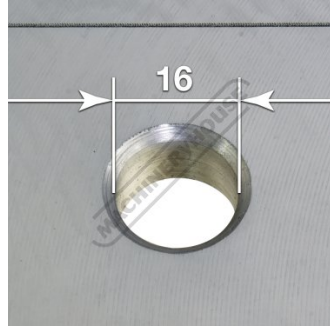
- 4pcs of round steel legs c/w adjustable leveling feet

Product Brochure For W07804

Specific Features



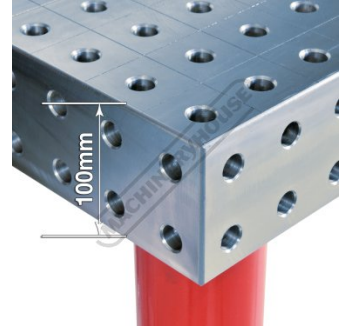
50x50mm Hole Centres Pattern



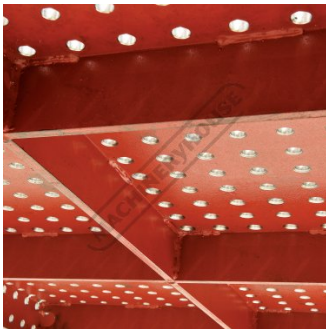
16mm Diameter Holes



Table Manufactured from Heavy S355 Plate Steel



100mm Sides



Strengthened by Welded Webbing



Adjustable Feet

Recommended Accessories

W119

Anti-Spatter Spray



W07900

Steel Cleaning Brush



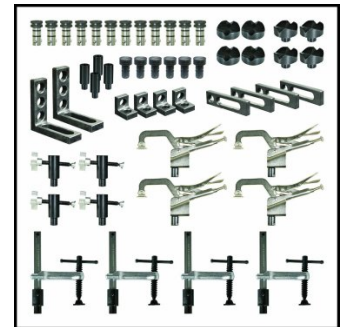
W07820

Table & Accessory Lifting Kit



W07814

52pc Pro Series Welding Table Clamp Kit



Product Brochure For W07804

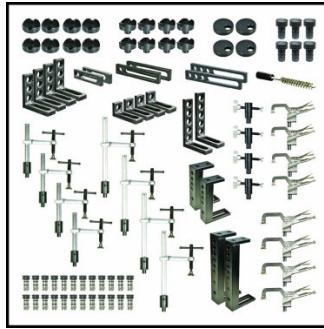
W07815

70pc Pro Series Welding Table
 Clamp Kit



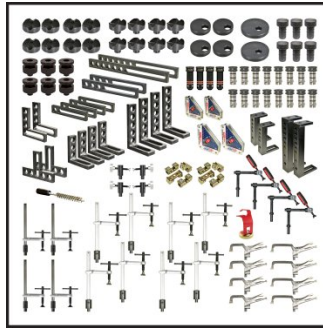
W07816

93pc Pro Series Welding Table
 Clamp Kit



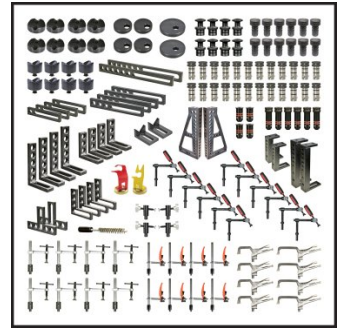
W07817

120pc Pro Series Welding Table
 Clamp Kit



W07818

151pc Pro Series Welding Table
 Clamp Kit



W08506

Magnetic Cross Type 90 / 135°
 V-Pad (4 Piece Pack)



W08507

Cross Type 90 / 135° V-Pad (4
 Piece Pack)



W07880

Cross Type 90 / 120° V-Pad



W07885

130° V-Pad



W07884

90° V-Square Support



W08505

12mm x Ø38mm Magnetic Rest
 Pad - 4pc Pack



W08513

25mm x M12 Multi-Purpose
 Riser/Stops (Spigot Type) - 4pc
 Pack



W08515

38mm x M12 Multi-Purpose
 Riser/Stops (Spigot Type) - 4pc
 Pack



Product Brochure For W07804

W08517

50mm x M12 Multi-Purpose Riser/Stops (Spigot Type) - 4pc Pack



W08503

Adjustable Rest Pad - 2pc Pack



W07887

50mm Eccentric Pad



W07888

75mm Eccentric Pad



W08504

Locating Pin 16 x 40mm



W07899

Magnetic Plug Pin 16 x 12mm



W07897

Double Countersink Lock Pin 16 x 24mm



W07895

Countersink Ball Lock Pin 16 x 24mm



W07890

Ball Lock Pin 16 x 18mm



W07891

Ball Lock Pin 16 x 24mm



W07892

Ball Lock Pin 16 x 28mm



W07893

Ball Lock Pin 16 x 36mm



Product Brochure For W07804

W07862
 Straight Bar Stop



W07863
 Straight Bar Stop



W07864
 Straight Bar Stop



W07866
 Straight Bar Stop



W07840
 Right Angle Bracket / Stop



W07841
 Right Angle Bracket / Stop



W07844
 Right Angle Bracket / Stop



W07845
 Right Angle Bracket / Stop



W07853
 L Bracket



W07855
 L Bracket



W07857
 T Bracket



W07858
 T Bracket



Product Brochure For W07804

W07846
Clamping Square



W07847
Clamping Square



W07848
Clamping Square



W07850
Angle Bracket Set



W07851
Angle Bracket Set



W07852
Angle Bracket Set



W07868
Half Block



W07869
Half Block



W07870
Riser Block



W07875
Riser Block



W07877
Riser Block



W07836
Welding Table Rapid Clamp



Product Brochure For W07804

W07837
 Welding Table Rapid Clamp



W07839
 Welding Table Rapid Clamp



W08508
 50mm Side Clamp (2 Piece Pack)



W08520
 Adjustable Welding Table Clamp (2 Piece Pack)



W07826
 Universal Tilting Welding Table Clamp



W07834
 Ratchet Welding Table Clamp



W07835
 Ratchet Welding Table Clamp



W07829
 Welding Table Clamp



W07831
 Welding Table Clamp



W07830
 Welding Table Clamp



W07832
 Welding Table Clamp



W07833
 Welding Table Clamp



Product Brochure For W07804

W1081
 Multi Angle Corner Magnets -
 2pc Pack



W1082
 Multi Angle Corner Magnets -
 2pc Pack



W1085
 Switchable Multi-Angle Welding
 Magnet



W1086
 Switchable Multi-Angle Welding
 Magnet



W1071
 Switchable Multi-Angle Welding
 Magnet



W1072
 Switchable Multi-Angle Welding
 Magnet



W1091
 Magnetic Swivel V-Pad Clamps



W10361
 Magnetic TIG Torch Rest



W10362
 Magnetic MIG Torch Rest



W112
 Micro Welding Steel Clamp Set



W113
 Butt Welding Aluminium & Steel
 Clamp Set

