

Product Brochure For W07806

800 x 1200mm M16 Pro Series Welding Table Top with Pull-out Tray - WT16-1208T

1200 x 800 x 65mm (LxWxH)

Ø16mm Holes, Suits the TWS-622 - Mobile Work Station BenchTop

On Sale

Ex GST	Inc GST
\$1,800.00	\$1,980.00
\$1,750.00	\$1,925.00



ORDER CODE:	W07806
MODEL:	WT16-1208T
Table Top Finish (Type):	Plasma Nitriding Coating
Table Top Size (mm):	800 x 1200
Table Height (mm):	65
Table Side Height (mm):	50 / 65
Top Plate Thickness (mm):	12
Grid Pattern (mm):	50 x 50
Table Hole Diameter (Ø):	16
Table Slots (mm):	~
Static Load Capacity (kg):	~
Total W.L.L. (kg):	~
Number of Legs (No.):	~
Nett Weight (kg):	115



Description

The WT16-1208T Metalmaster M16 Pro Series Welding Table Top with Pull-out Tray, has been designed to be paired with the TWS-622 Mobile Work Station to make the ultimate mobile welding solution.

The 800 x 1200mm Welding Table features a welded S355 steel frame, 12mm thickness, CNC-machined for precise flatness. Featuring Ø16mm holes with a 50 x 50mm hole pattern, it offers versatile clamping options for fixtures. Solid steel ribs and 50mm high sides ensure rigidity, while the plasma nitriding coating resists spatter, wear, and rust. It also includes a pull-out swarf tray for added convenience.

Suits the TWS-622 - Professional Series Mobile Work Station - sold separately

Features

- 800 x 1200mm Tabletop with Pull-out Tray
- Tabletop is manufactured from heavy S355 plate steel finished nominal thickness of 12mm
- CNC machined to ensure flatness
- Plasma nitriding surface finish for increased hardness, rust & spatter resistance
- Ø16mm Precision bored fixing holes
- 50 x 50mm hole grid pattern offering a multitude of clamping options
- The kit includes a sheet steel cover for the benchtop, pull-out swarf tray, and hardware pack for mounting to benchtop

Includes

- 1 x WT16-1208T 800 x 1200mm Nitride Steel Welding Table Top
- 1 x 1150 x 740mm protective sheetmetal cover to suit the TWS-622 wood benchtop
- 1 x Pull-out Welding Splatter Tray
- 1 x Hardware Pack for mounting to benchtop.

Optional Accessories

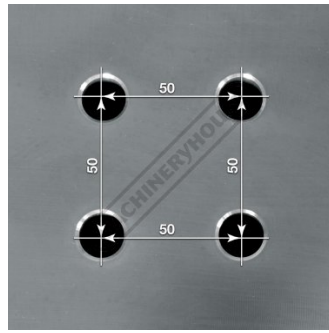
- Suit the TWS-622 - Professional Series Mobile Work Station BenchTop - sold separately

Product Brochure For W07806

Specific Features



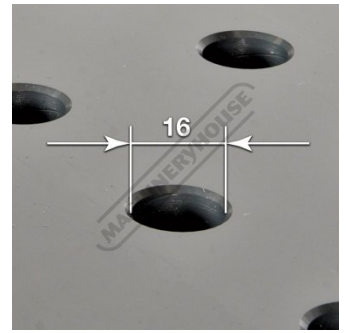
Included Components



50 x 50mm Hole Centre Pattern



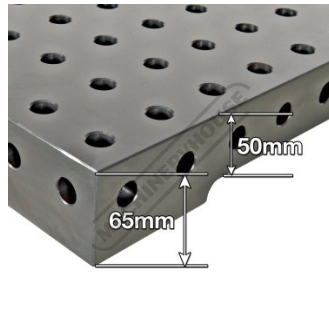
Table Manufactured from Heavy S355 Plate Steel



Ø16mm Diameter Holes



12mm Table Thickness



65mm High Ends with 50mm High Sides



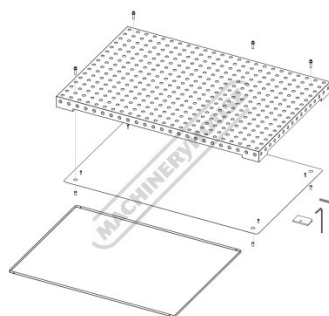
Feet with 4 Mounting Holes



Strengthened by Welded Webbing



Included Tools, Jigs and Fixings



Assembly Drawing

Product Brochure For W07806

Recommended Accessories

T6890
 Professional Series Mobile
 Work Station



W07806K
 M16 Pro Series Mobile Welding
 Station



W119
 Anti-Spatter Spray



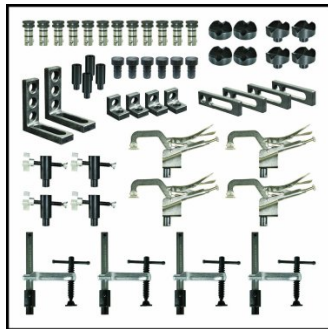
W07900
 Steel Cleaning Brush



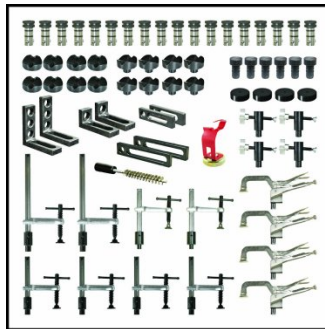
W07820
 Table & Accessory Lifting Kit



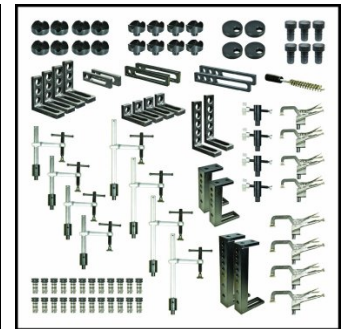
W07814
 52pc Pro Series Welding Table
 Clamp Kit



W07815
 70pc Pro Series Welding Table
 Clamp Kit

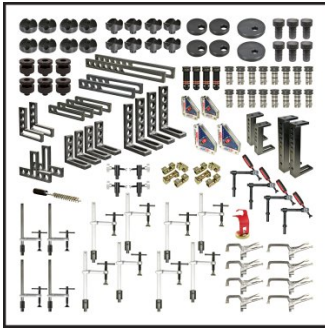


W07816
 93pc Pro Series Welding Table
 Clamp Kit

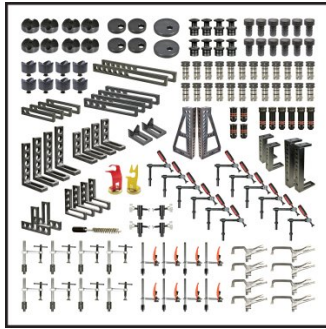


Product Brochure For W07806

W07817
 120pc Pro Series Welding Table
 Clamp Kit



W07818
 151pc Pro Series Welding Table
 Clamp Kit



W08506
 Magnetic Cross Type 90 / 135°
 V-Pad (4 Piece Pack)



W08507
 Cross Type 90 / 135° V-Pad (4
 Piece Pack)

W07880
 Cross Type 90 / 120° V-Pad



W07885
 130° V-Pad



W07884
 90° V-Square Support



W08505
 12mm x Ø38mm Magnetic Rest
 Pad - 4pc Pack



W08513
 25mm x M12 Multi-Purpose
 Riser/Stops (Spigot Type) - 4pc
 Pack



W08515
 38mm x M12 Multi-Purpose
 Riser/Stops (Spigot Type) - 4pc
 Pack



W08517
 50mm x M12 Multi-Purpose
 Riser/Stops (Spigot Type) - 4pc
 Pack



W08503
 Adjustable Rest Pad - 2pc Pack



Product Brochure For W07806

W07887
 50mm Eccentric Pad



W07888
 75mm Eccentric Pad



W08504
 Locating Pin 16 x 40mm



W07899
 Magnetic Plug Pin 16 x 12mm



W07897
 Double Countersink Lock Pin 16 x 24mm



W07895
 Countersink Ball Lock Pin 16 x 24mm



W07890
 Ball Lock Pin 16 x 18mm



W07891
 Ball Lock Pin 16 x 24mm



W07892
 Ball Lock Pin 16 x 28mm



W07893
 Ball Lock Pin 16 x 36mm



W07862
 Straight Bar Stop



W07863
 Straight Bar Stop



Product Brochure For W07806

W07864
 Straight Bar Stop



W07866
 Straight Bar Stop



W07840
 Right Angle Bracket / Stop



W07841
 Right Angle Bracket / Stop



W07844
 Right Angle Bracket / Stop



W07845
 Right Angle Bracket / Stop



W07853
 L Bracket



W07855
 L Bracket



W07857
 T Bracket



W07858
 T Bracket



W07846
 Clamping Square



W07847
 Clamping Square



Product Brochure For W07806

W07848
Clamping Square



W07850
Angle Bracket Set



W07851
Angle Bracket Set



W07852
Angle Bracket Set



W07868
Half Block



W07869
Half Block



W07870
Riser Block



W07875
Riser Block



W07877
Riser Block



W07836
Welding Table Rapid Clamp



W07837
Welding Table Rapid Clamp



W07839
Welding Table Rapid Clamp



Product Brochure For W07806

W08508
 50mm Side Clamp (2 Piece Pack)



W08520
 Adjustable Welding Table Clamp (2 Piece Pack)



W07826
 Universal Tilting Welding Table Clamp



W07834
 Ratchet Welding Table Clamp



W07835
 Ratchet Welding Table Clamp



W07829
 Welding Table Clamp



W07831
 Welding Table Clamp



W07830
 Welding Table Clamp



W07832
 Welding Table Clamp



W07833
 Welding Table Clamp



W1081
 Multi Angle Corner Magnets - 2pc Pack



W1082
 Multi Angle Corner Magnets - 2pc Pack



Product Brochure For W07806

W1085
 Switchable Multi-Angle Welding Magnet



W1086
 Switchable Multi-Angle Welding Magnet



W1071
 Switchable Multi-Angle Welding Magnet



W1072
 Switchable Multi-Angle Welding Magnet



W1091
 Magnetic Swivel V-Pad Clamps



W10361
 Magnetic TIG Torch Rest



W10362
 Magnetic MIG Torch Rest



W112
 Micro Welding Steel Clamp Set



W113
 Butt Welding Aluminium & Steel Clamp Set

