

Product Brochure For W07812

## 2400 x 1200mm M16 Pro Series Welding Table - WT16-2412N

Plasma Nitriding Coating  
 Ø16mm Holes

**On Sale**

Ex GST	Inc GST
<del>\$6,290.00</del>	<del>\$6,919.00</del>
<b>\$5,900.00</b>	<b>\$6,490.00</b>



ORDER CODE:	W07812
MODEL:	WT16-2412N
Table Top Finish (Type):	Plasma Nitriding Coating
Table Top Size (mm):	2400 x 1200
Table Height (mm):	900
Table Side Height (mm):	100
Top Plate Thickness (mm):	12
Grid Pattern (mm):	50 x 50
Table Hole Diameter (Ø):	16
Table Slots (mm):	~
Static Load Capacity (kg):	3000
Total W.L.L. (kg):	~
Number of Legs (No.):	6
Nett Weight (kg):	431



### Description

The Metalmaster M16 Pro Series welding tables features a welded & ribbed construction from heavy S355 plate steel, the frame is then CNC machined with the sides & top having a finished nominal thickness of 12mm. The CNC machining process is able to achieve a high flatness tolerance of +/- 0.1mm over 1m<sup>2</sup> to give you a smooth precision welding surface. During this CNC machining process, the Ø16mm holes are precision bored to ensure a hole distance tolerance of +/- 0.05mm & with an industry standard 50 x 50mm hole pattern it gives you a multitude of fixture holes to suit your application. Before removing the table from the machining centre, we engrave 50mm grid lines & perimeter ruler to give you millimetre precision helping you minimise mistakes while increasing productivity.

Our Pro Series tables have been designed with interlocking solid steel ribs & 100mm high sides to maintain rigidity with substantial load capacity for all medium sized fabrication projects. The hole spacing is an industry standard 50mm giving you almost endless possibilities for both welding and clamping applications. The table also comes complete with heavy powder coated tube steel legs complete with heavy duty caster wheels featuring integrated levelling feet ensuring a stable working surface.

This M16 Pro Series table come standard with a plasma nitriding coating which thermochemically case hardens the surface so not only making it harder but also making it spatter, wear & rust resistant.

Choose from our wide range of optional Pro Series clamping kits & fixturing accessories to add to your table giving you the ultimate welding & fixturing system so when you go into battle with your next fabrication project it's a knockout.

### Features

- Plasma nitriding surface finish for increased hardness, rust & spatter resistance
- Ø16mm Precision bored fixing holes at 50mm centres
- 50 x 50mm hole grid pattern offering a multitude of clamping options
- 50mm grid lines & perimeter ruler engraving
- Precision CNC machined to ensure flatness of +/- 0.1mm over 1m<sup>2</sup>
- Tabletop & sides manufactured from heavy S355 plate steel

### Includes

- 6pcs of heavy square adjustable height steel legs c/w caster with integrated levelling feet

### Optional Accessories

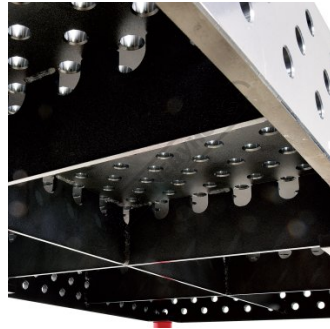
- It is recommended that a minimum of 2 pairs (4pcs) of the WT16-LFK2 - Table & Accessory Lifting Kit (W07820) when lifting

Product Brochure For W07812

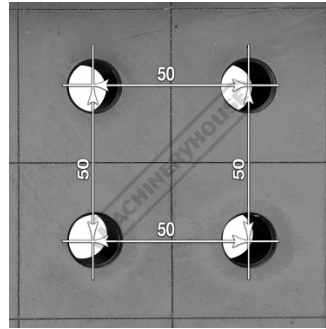
**Specific Features**



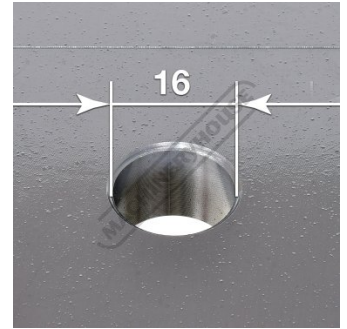
Perimeter Ruler Engraving



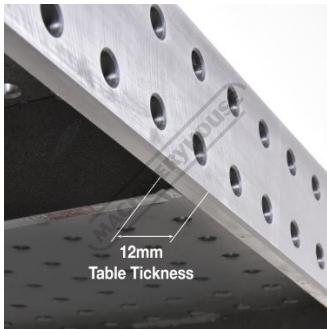
Strengthened by Welded Webbing



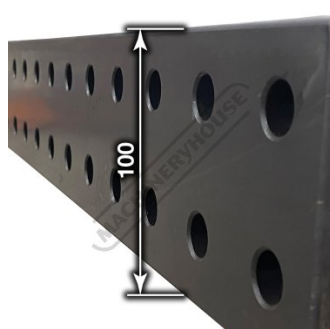
50 x 50mm Hole Centres Pattern



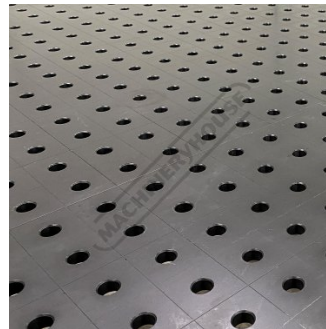
16mm Diameter Holes



12mm Table Thickness



100mm sides



Plasma Nitriding Surface Finish



Adjustable Height Legs



Adjustable Height Swivel Brake Wheels

Product Brochure For W07812

**Recommended Accessories**

**W119**  
Anti-Spatter Spray



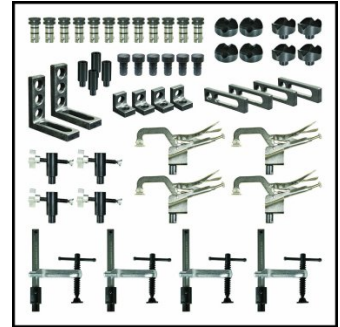
**W07900**  
Steel Cleaning Brush



**W07820**  
Table & Accessory Lifting Kit



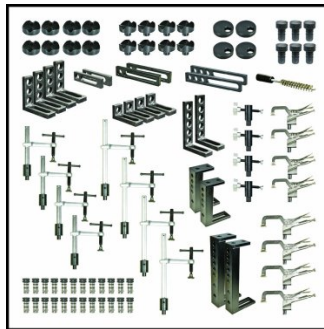
**W07814**  
52pc Pro Series Welding Table Clamp Kit



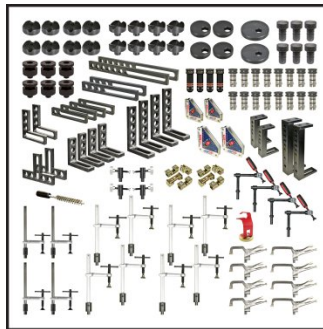
**W07815**  
70pc Pro Series Welding Table Clamp Kit



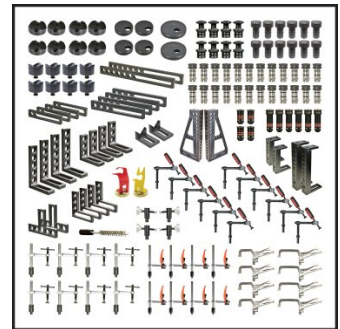
**W07816**  
93pc Pro Series Welding Table Clamp Kit



**W07817**  
120pc Pro Series Welding Table Clamp Kit



**W07818**  
151pc Pro Series Welding Table Clamp Kit



Product Brochure For W07812

**W08506**

Magnetic Cross Type 90 / 135° V-Pad (4 Piece Pack)



**W08507**

Cross Type 90 / 135° V-Pad (4 Piece Pack)



**W07880**

Cross Type 90 / 120° V-Pad



**W07885**

130° V-Pad



**W07884**

90° V-Square Support



**W08505**

12mm x Ø38mm Magnetic Rest Pad - 4pc Pack



**W08513**

25mm x M12 Multi-Purpose Riser/Stops (Spigot Type) - 4pc Pack



**W08515**

38mm x M12 Multi-Purpose Riser/Stops (Spigot Type) - 4pc Pack



**W08517**

50mm x M12 Multi-Purpose Riser/Stops (Spigot Type) - 4pc Pack



**W08503**

Adjustable Rest Pad - 2pc Pack



**W07887**

50mm Eccentric Pad



**W07888**

75mm Eccentric Pad



Product Brochure For W07812

**W08504**  
 Locating Pin 16 x 40mm



**W07899**  
 Magnetic Plug Pin 16 x 12mm



**W07897**  
 Double Countersink Lock Pin 16 x 24mm



**W07895**  
 Countersink Ball Lock Pin 16 x 24mm



**W07890**  
 Ball Lock Pin 16 x 18mm



**W07891**  
 Ball Lock Pin 16 x 24mm



**W07892**  
 Ball Lock Pin 16 x 28mm



**W07893**  
 Ball Lock Pin 16 x 36mm



**W07862**  
 Straight Bar Stop



**W07863**  
 Straight Bar Stop



**W07864**  
 Straight Bar Stop



**W07866**  
 Straight Bar Stop



Product Brochure For W07812

W07840  
 Right Angle Bracket / Stop



W07841  
 Right Angle Bracket / Stop



W07844  
 Right Angle Bracket / Stop



W07845  
 Right Angle Bracket / Stop



W07853  
 L Bracket



W07855  
 L Bracket



W07857  
 T Bracket



W07858  
 T Bracket



W07846  
 Clamping Square



W07847  
 Clamping Square



W07848  
 Clamping Square



W07850  
 Angle Bracket Set



Product Brochure For W07812

W07851  
Angle Bracket Set



W07852  
Angle Bracket Set



W07868  
Half Block



W07869  
Half Block



W07870  
Riser Block



W07875  
Riser Block



W07877  
Riser Block



W07836  
Welding Table Rapid Clamp



W07837  
Welding Table Rapid Clamp



W07839  
Welding Table Rapid Clamp



W08508  
50mm Side Clamp (2 Piece Pack)



W08520  
Adjustable Welding Table Clamp (2 Piece Pack)



Product Brochure For W07812

**W07826**  
 Universal Tilting Welding Table Clamp



**W07834**  
 Ratchet Welding Table Clamp



**W07835**  
 Ratchet Welding Table Clamp



**W07829**  
 Welding Table Clamp



**W07831**  
 Welding Table Clamp



**W07830**  
 Welding Table Clamp



**W07832**  
 Welding Table Clamp



**W07833**  
 Welding Table Clamp



**W1081**  
 Multi Angle Corner Magnets - 2pc Pack



**W1082**  
 Multi Angle Corner Magnets - 2pc Pack



**W1085**  
 Switchable Multi-Angle Welding Magnet



**W1086**  
 Switchable Multi-Angle Welding Magnet



Product Brochure For W07812

**W1071**  
 Switchable Multi-Angle Welding Magnet



**W1072**  
 Switchable Multi-Angle Welding Magnet



**W1091**  
 Magnetic Swivel V-Pad Clamps



**W10361**  
 Magnetic TIG Torch Rest



**W10362**  
 Magnetic MIG Torch Rest



**W112**  
 Micro Welding Steel Clamp Set



**W113**  
 Butt Welding Aluminium & Steel Clamp Set

