

Product Brochure For W07815

70pc Pro Series Welding Table Clamp Kit - WT16-KIT70

Suits Metalmaster M16 Pro Series Tables
 Suits Ø16mm Welding Tables Holes

On Sale - Package Deal

Ex GST	Inc GST
\$950.00	\$1,045.00
\$908.18	\$999.00



Package Contents - SAVE \$357.30 (Inc)

4 x W07829 - Welding Table Clamp WT16-C815	\$27.50
2 x W07830 - Welding Table Clamp WT16-C825	\$31.90
2 x W07831 - Welding Table Clamp WT16-C1020	\$35.20
4 x W07837 - Welding Table Rapid Clamp WT16-RC9	\$27.50
2 x W07841 - Right Angle Bracket / Stop WT16-AB943	\$31.90
2 x W07844 - Right Angle Bracket / Stop WT16-AB993	\$38.50
2 x W07862 - Straight Bar Stop WT16-SB115	\$27.50
2 x W07863 - Straight Bar Stop WT16-SB150	\$38.50
18 x W07891 - Ball Lock Pin 16 x 24mm WT16-BLP24	\$24.20
1 x W07900 - Steel Cleaning Brush WT16-CB16	\$24.20
1 x W08504 - Locating Pin 16 x 40mm SCLP-16	\$26.40
1 x W08505 - 12mm x Ø38mm Magnetic Rest Pad - 4pc Pack WT16-MP-12	\$27.50
2 x W08506 - Magnetic Cross Type 90 / 135° V-Pad (4 Piece Pack) WT16-SCVM-90	\$27.50
2 x W08507 - Cross Type 90 / 135° V-Pad (4 Piece Pack) WT16-SCVM-135	\$27.50
2 x W08508 - 50mm Side Clamp (2 Piece Pack) SDC-50	\$42.90
1 x W10362 - Magnetic MIG Torch Rest MTH-1	\$19.80
Normal Price (Inc):	\$1,356.30



ORDER CODE:	W07815
MODEL:	WT16-KIT70
Suits Table Hole Size (Ø):	16mm
Suit Table Thickness:	12mm
Quantity Per Pack (No.):	70
Nett Weight (kg):	~

Description

Our 70pc Pro Series welding table kit offer you great versatility for all your welding & fixturing needs. Tailored to suit our M16 Pro Series welding tables with 16mm fixturing holes making it ideal addition to your welding table. With a total of 70 pieces, it is an affordable & functional kit for flat steel, round & square tubing applications. This clamping kit is perfect for the set-up of a multitude of welding tasks & aids in the ability to work comfortably, safely and efficiently for improved work quality and productivity.

Features

- Suits Metalmaster M16 Pro Series tables with 12mm table thickness with Ø16mm holes
- 70-piece kit that all works in combination with each other to solve many clamping applications
- Adaptable to suit flat, square & round material

Includes

- 4pcs of 80mm Throat Welding Table Clamps (150mm Cap.)
- 2pcs of 80mm Throat Welding Table Clamps (250mm Cap.)
- 2pcs of 100mm Throat Welding Table Clamps (200mm Cap.)
- 4pc of Side Clamps
- 4pcs of 93mm Rapid Clamps
- 8pcs of Magnetic Cross Type V-Pads (90, 135°)
- 8pcs of Cross Type V-Pads (90, 135°)
- 6pcs of Locating Pins
- 4pcs of 12mm Magnetic Rest Pads
- 18pcs of 16 x 24mm Ball Lock Pins
- 2pcs of 115mm Straight Bar Stops
- 2pcs of 150mm Straight Bar Stops
- 2pcs of 90 x 40 x 30mm Angle Brackets
- 2pcs of 90 x 90 x 30mm Angle Brackets
- 1pcs of 16mm Steel Cleaning Brush
- 1pc of Magnetic Mig Torch Holder

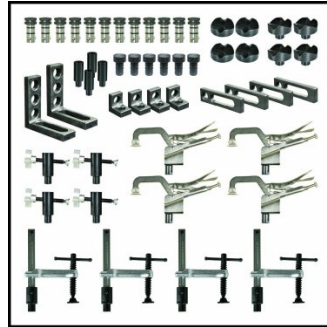
Product Brochure For W07815

Recommended Accessories

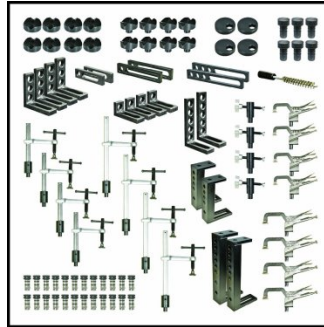
W07820
 Table & Accessory Lifting Kit



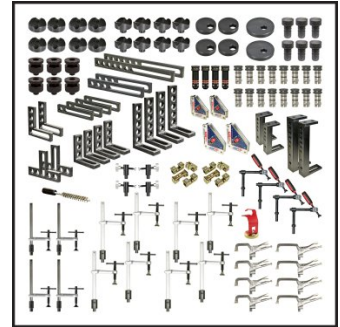
W07814
 52pc Pro Series Welding Table Clamp Kit



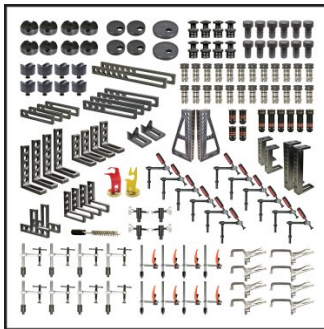
W07816
 93pc Pro Series Welding Table Clamp Kit



W07817
 120pc Pro Series Welding Table Clamp Kit



W07818
 151pc Pro Series Welding Table Clamp Kit



W07806
 800 x 1200mm M16 Pro Series Welding Table Top with Pull-out Tray



W07806K
 M16 Pro Series Mobile Welding Station



W07809
 1200 x 1200mm M16 Pro Series Welding Table



Product Brochure For W07815

W07804

2000 x 1000mm M16 Pro Series
Welding Table

W07811

2000 x 1000mm M16 Pro Series
Welding Table

W07812

2400 x 1200mm M16 Pro Series
Welding Table

