

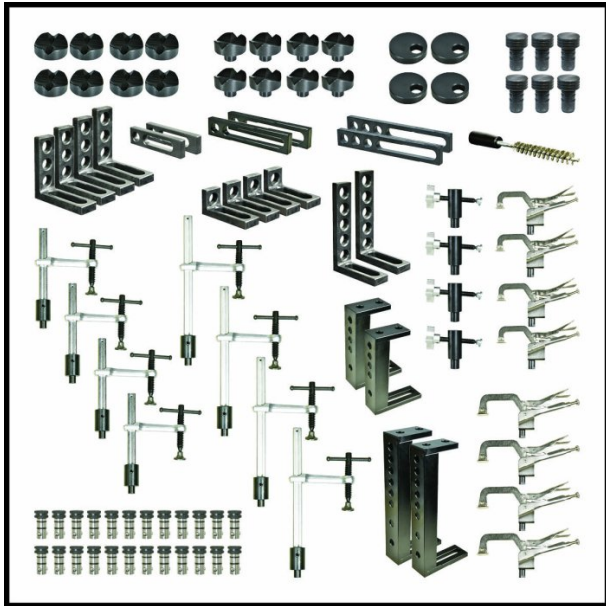
Product Brochure For W07816

## 93pc Pro Series Welding Table Clamp Kit - WT16-KIT93

Suits Metalmaster M16 Pro Series Tables  
 Suits Ø16mm Welding Tables Holes

**On Sale - Package Deal**

| Ex GST            | Inc GST           |
|-------------------|-------------------|
| \$1,750.00        | \$1,925.00        |
| <b>\$1,690.00</b> | <b>\$1,859.00</b> |



**Package Contents - SAVE \$580.80 (Inc)**

|                                                                          |         |
|--------------------------------------------------------------------------|---------|
| 2 x W07862 - Straight Bar Stop WT16-SB115                                | \$27.50 |
| 2 x W08508 - 50mm Side Clamp (2 Piece Pack) SDC-50                       | \$42.90 |
| 2 x W08507 - Cross Type 90 / 135° V-Pad (4 Piece Pack) SDC-50            | \$27.50 |
| 2 x W08506 - Magnetic Cross Type 90 / 135° V-Pad (4 Piece Pack) SCVM-901 | \$27.50 |
| 1 x W08504 - Locating Pin 16 x 40mm SCLP-16                              | \$26.40 |
| 1 x W07900 - Steel Cleaning Brush WT16-CB16                              | \$24.20 |
| 24 x W07891 - Ball Lock Pin 16 x 24mm WT16-BLP24                         | \$24.20 |
| 4 x W07887 - 50mm Eccentric Pad WT16-EC50                                | \$27.50 |
| 2 x W07864 - Straight Bar Stop WT16-SB200                                | \$49.50 |
| 2 x W07863 - Straight Bar Stop WT16-SB150                                | \$38.50 |
| 6 x W07831 - Welding Table Clamp WT16-C1020                              | \$35.20 |
| 2 x W07848 - Clamping Square WT16-CSQ300                                 | \$93.50 |
| 2 x W07847 - Clamping Square WT16-CSQ200                                 | \$75.90 |
| 2 x W07845 - Right Angle Bracket / Stop WT16-AB1405x1                    | \$44.00 |
| 4 x W07844 - Right Angle Bracket / Stop WT16-AB993                       | \$38.50 |
| 4 x W07841 - Right Angle Bracket / Stop WT16-AB943                       | \$31.90 |
| 4 x W07837 - Welding Table Rapid Clamp WT16-RC9                          | \$27.50 |
| 4 x W07836 - Welding Table Rapid Clamp WT16-RC6                          | \$22.00 |
| 4 x W07832 - Welding Table Clamp WT16-C1030                              | \$38.50 |

**Normal Price (Inc): \$2,439.80**



|                            |            |
|----------------------------|------------|
| ORDER CODE:                | W07816     |
| MODEL:                     | WT16-KIT93 |
| Suits Table Hole Size (Ø): | 16mm       |
| Suit Table Thickness:      | 12mm       |
| Quantity Per Pack (No.):   | 93         |
| Nett Weight (kg):          | ~          |

### Description

Our 93pc Pro Series welding table kit offer you great versatility for all your welding & fixturing needs. Tailored to suit our M16 Pro Series welding tables with 16mm fixturing holes making it ideal addition to your welding table. With a total of 93 pieces, it is an affordable & functional kit for flat steel, round & square tubing applications. This clamping kit is perfect for the set-up of a multitude of welding tasks & aids in the ability to work comfortably, safely and efficiently for improved work quality and productivity.

### Features

- Suits Metalmaster M16 Pro Series tables with 12mm table thickness with Ø16mm holes
- 93-piece kit that all works in combination with each other to solve many clamping applications
- Adaptable to suit flat, square & round material

### Includes

- 6pcs of 100mm Throat Welding Table Clamps (200mm Cap.)
- 4pcs of 100mm Throat Welding Table Clamps (300mm Cap.)
- 4pc of Side Clamps
- 4pcs of 63mm Rapid Clamps
- 4pcs of 93mm Rapid Clamps
- 8pcs of Magnetic Cross Type V-Pads (90, 135°)
- 8pcs of Cross Type V-Pads (90, 135°)
- 6pcs of Locating Pins
- 4pcs of 12mm Magnetic Rest Pads
- 24pcs of 16 x 24mm Ball Lock Pins
- 2pcs of 115mm Straight Bar Stops
- 2pcs of 150mm Straight Bar Stops
- 2pcs of 90 x 40 x 30mm Angle Brackets
- 2pcs of 90 x 90 x 30mm Angle Brackets
- 1pcs of 16mm Steel Cleaning Brush

Product Brochure For W07816

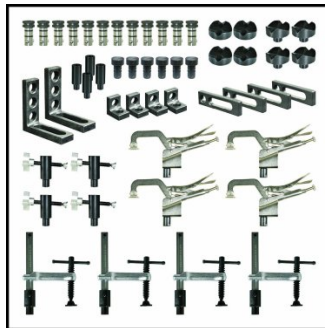
- 1pc of Magnetic Mig Torch Holder

**Recommended Accessories**

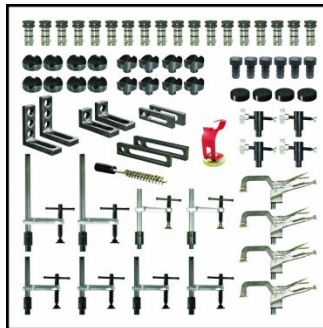
**W07820**  
 Table & Accessory Lifting Kit



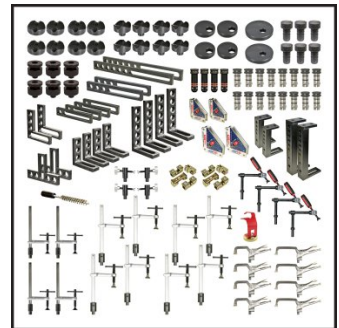
**W07814**  
 52pc Pro Series Welding Table Clamp Kit



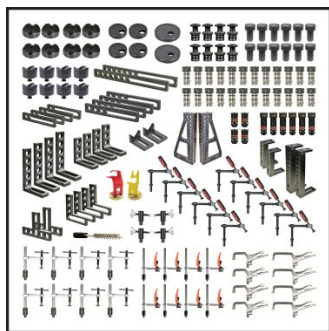
**W07815**  
 70pc Pro Series Welding Table Clamp Kit



**W07817**  
 120pc Pro Series Welding Table Clamp Kit



**W07818**  
 151pc Pro Series Welding Table Clamp Kit



**W07806**  
 800 x 1200mm M16 Pro Series Welding Table Top with Pull-out Tray



**W07806K**  
 M16 Pro Series Mobile Welding Station



**W07809**  
 1200 x 1200mm M16 Pro Series Welding Table



Product Brochure For W07816

---

**W07804**

2000 x 1000mm M16 Pro Series  
Welding Table

**W07811**

2000 x 1000mm M16 Pro Series  
Welding Table

**W07812**

2400 x 1200mm M16 Pro Series  
Welding Table

