

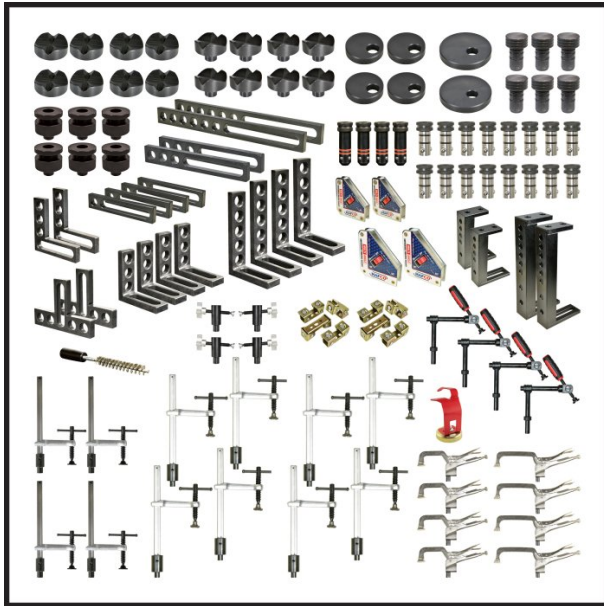
Product Brochure For W07817

120pc Pro Series Welding Table Clamp Kit - WT16-KIT120

Suits Metalmaster M16 Pro Series Tables
 Suits Ø16mm Welding Tables Holes

On Sale - Package Deal

Ex GST	Inc GST
\$2,690.00	\$2,959.00
\$2,590.00	\$2,849.00



Package Contents - SAVE \$896.50 (Inc)

4 x W07887 - 50mm Eccentric Pad WT16-EC50	\$27.50
2 x W1091 - Magnetic Swivel V-Pad Clamps WMVP-2M	\$24.20
2 x W1072 - Switchable Multi-Angle Welding Magnet WCM	\$64.90
2 x W1071 - Switchable Multi-Angle Welding Magnet WCM	\$49.50
1 x W10362 - Magnetic MIG Torch Rest MTH-1	\$19.80
2 x W08508 - 50mm Side Clamp (2 Piece Pack) SDC-50	\$42.90
2 x W08507 - Cross Type 90 / 135° V-Pad (4 Piece Pack) SDC-90	\$27.50
2 x W08506 - Magnetic Cross Type 90 / 135° V-Pad (4 Piece Pack) SCVM-90	\$27.50
1 x W08504 - Locating Pin 16 x 40mm SCLP-16	\$26.40
3 x W08503 - Adjustable Rest Pad - 2pc Pack SCAP-40	\$42.90
1 x W07900 - Steel Cleaning Brush WT16-CB16	\$24.20
4 x W07893 - Ball Lock Pin 16 x 36mm WT16-BLP36	\$27.50
16 x W07891 - Ball Lock Pin 16 x 24mm WT16-BLP24	\$24.20
2 x W07888 - 75mm Eccentric Pad WT16-EC75	\$33.00
4 x W07826 - Universal Tilting Welding Table Clamp WT16-UT16	\$82.50
2 x W07866 - Straight Bar Stop WT16-SB300	\$88.00
2 x W07864 - Straight Bar Stop WT16-SB200	\$49.50
4 x W07863 - Straight Bar Stop WT16-SB150	\$38.50
2 x W07857 - T Bracket WT16-TB130	\$99.00
2 x W07853 - L Bracket WT16-LB105	\$55.00
2 x W07848 - Clamping Square WT16-CSQ300	\$93.50
2 x W07847 - Clamping Square WT16-CSQ200	\$75.90
4 x W07845 - Right Angle Bracket / Stop WT16-AB1405x1	\$44.00
4 x W07844 - Right Angle Bracket / Stop WT16-AB993	\$38.50
4 x W07839 - Welding Table Rapid Clamp WT16-RC14	\$29.70
4 x W07837 - Welding Table Rapid Clamp WT16-RC9	\$27.50
8 x W07832 - Welding Table Clamp WT16-C1030	\$38.50
4 x W07830 - Welding Table Clamp WT16-C825	\$31.90

Normal Price (Inc): \$3,745.50

ORDER CODE:	W07817
MODEL:	WT16-KIT120
Suits Table Hole Size (Ø):	16mm
Suit Table Thickness:	12mm
Quantity Per Pack (No.):	120
Nett Weight (kg):	~

METALMASTER



Description

Our 120pc Pro Series welding table kit offer you great versatility for all your welding & fixturing needs. Tailored to suit our M16 Pro Series welding tables with 16mm fixturing holes making it ideal addition to your welding table. With a total of 120 pieces, it is an affordable & functional kit for flat steel, round & square tubing applications. This clamping kit is perfect for the set-up of a multitude of welding tasks & aids in the ability to work comfortably, safely and efficiently for improved work quality and productivity.

Features

- Suits Metalmaster M16 Pro Series tables with 12mm table thickness with Ø16mm holes
- 120-piece kit that all works in combination with each other to solve many clamping applications
- Adaptable to suit flat, square & round material

Includes

- 4 x W07887 - WT16-EC50 50mm Eccentric Pad Up to 37mm Offset
- 2 x W07888 - WT16-EC75 75mm Eccentric Pad Up to 50mm Offset
- 2 x W1091 - WMVP-2M Magnetic Swivel V-Pad Clamps 10kg Pull Force - 4pc Pack
- 2 x W1072 - WCM-140HD Switchable Multi-Angle Welding Magnet 70kg Pull Force
- 2 x W1071 - WCM-90HD Switchable Multi-Angle Welding Magnet 40kg Pull Force

Product Brochure For W07817

- 1 x W10362 - MTH-1 Magnetic MIG Torch Rest
- 2 x W08508 - SDC-50 50mm Side Clamp (2 Piece Pack)
- 2 x W08507 - SCV-90135 Cross Type 90 / 135° V-Pad (4 Piece Pack)
- 2 x W08506 - SCVM-90135 Magnetic Cross Type 90 / 135° V-Pad (4 Piece Pack)
- 1 x W08504 - SCLP-16 Locating Pin 16 x 40mm
- 3 x W08503 - SCAP-40 Adjustable Rest Pad Ø40 x Ø16 x 35~45mm - 2pc Pack
- 1 x W07900 - WT16-CB16 Steel Cleaning Brush - Suits Ø16mm Hole Tables
- 4 x W07893 - WT16-BLP36 Ball Lock Pin 16 x 36mm
- 16 x W07891 - WT16-BLP24 Ball Lock Pin 16 x 24mm
- 4 x W07826 - WT16-UNIV Universal Tilting Welding Table Clamp +/- 42 Degrees
- 2 x W07866 - WT16-SB300 Straight Bar Stop 300 x 30 x 12mm
- 2 x W07864 - WT16-SB200 Straight Bar Stop 200 x 30 x 12mm
- 4 x W07863 - WT16-SB150 Straight Bar Stop 150 x 30 x 12mm
- 2 x W07857 - WT16-TB130 T Bracket 130 x 90 x 30mm, 4 Holes, 1 Slot
- 2 x W07853 - WT16-LB105 L Bracket 105 x 105 x 30mm, 3 Holes, 1 Slot
- 2 x W07848 - WT16-CSQ300 Clamping Square 140 x 90 x 300 x 50mm
- 2 x W07847 - WT16-CSQ200 Clamping Square 140 x 90 x 200 x 50mm
- 4 x W07845 - WT16-AB1405x1 Angle Bracket / Stop 140 x 90 x 30mm, 5 Holes, 1 Slot
- 4 x W07844 - WT16-AB993 Right Angle Bracket 90 x 90 x 30mm, 3 Holes, 1 Slot
- 4 x W07839 - WT16-RC14 Welding Table Rapid Clamp 159mm Throat x 120mm Height
- 4 x W07837 - WT16-RC9 Welding Table Rapid Clamp 93mm Throat x 100mm Height
- 8 x W07832 - WT16-C1030 Welding Table Clamp 100mm Throat x 300mm Height
- 4 x W07830 - WT16-C825 Welding Table Clamp 80mm Throat x 250mm Height

Recommended Accessories

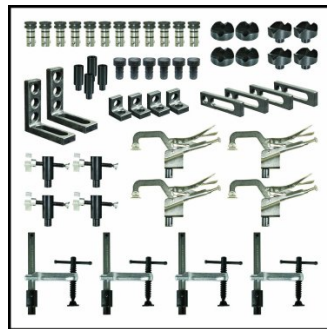
W07820

Table & Accessory Lifting Kit



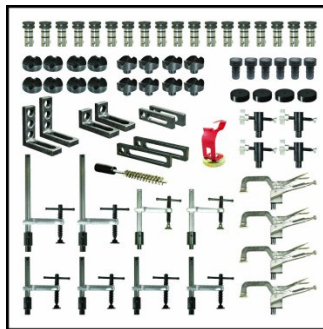
W07814

52pc Pro Series Welding Table Clamp Kit



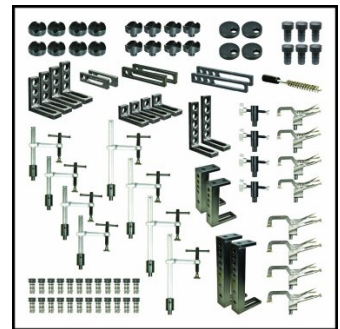
W07815

70pc Pro Series Welding Table Clamp Kit



W07816

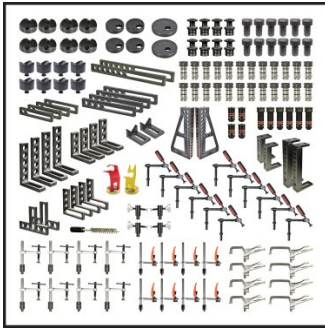
93pc Pro Series Welding Table Clamp Kit



Product Brochure For W07817

W07818

151pc Pro Series Welding Table Clamp Kit



W07806

800 x 1200mm M16 Pro Series Welding Table Top with Pull-out Tray



W07806K

M16 Pro Series Mobile Welding Station



W07809

1200 x 1200mm M16 Pro Series Welding Table



W07804

2000 x 1000mm M16 Pro Series Welding Table



W07811

2000 x 1000mm M16 Pro Series Welding Table



W07812

2400 x 1200mm M16 Pro Series Welding Table

