

Product Brochure For W07858

T Bracket - WT16-TB250

250 x 150 x 30mm, 8 Holes, 1 Slot
 Suits Ø16mm Welding Tables Holes



On Sale

Ex GST	Inc GST
\$110.00	\$121.00
\$99.09	\$109.00

ORDER CODE:	W07858
MODEL:	WT16-TB250
Type:	T Bracket
Suits Table Hole Diameter (Ø (mm)):	Ø16mm
Size (mm):	~
Slot Length (mm):	~
Nett Weight (kg):	2.5

METALMASTER



Description

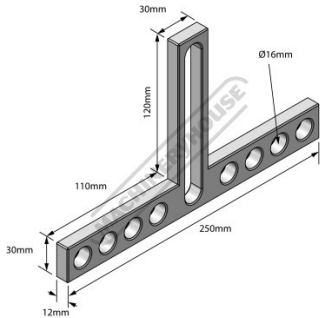
These precision machined L bracket ideal for jiggling square frames on any welding table with 16mm fixturing holes. They can be used as a stop, table extension or a platform to allow for infinite adjustments in fixturing.

Features

- 16mm precision bored holes
- Precision machined slot
- 12mm thick plate

Product Brochure For W07858

Specific Features



Dimensions



Low View



Shown on Welding Table

Recommended Accessories

W08280

42pc Welding Table Clamping & Fixturing Kit



W08301

180 Degree Welding Table Clamp with T-Bar Handle



W08304

90 Degree Welding Table Clamp with T-Bar Handle



W08307

45 Degree Welding Table Clamp with T-Bar Handle



W08372

Countersink Ball Lock Pin 28 x 50mm



W08370

Ball Lock Pin 28 x 50mm



W08371

Ball Lock Pin 28 x 75mm



W08360

Cross Type 90 / 120° V-Pad



Product Brochure For W07858

W08340

Straight Bar Stop



W08341

Straight Bar Stop



W08342

Straight Bar Stop



W08343

Straight Bar Stop



W08320

Right Angle Bracket / Stop



W08321

Right Angle Bracket / Stop



W08325

Right Angle Bracket / Stop



W08330

L Bracket



W08331

L Bracket



W08335

T Bracket



W08329

Adjustable Angle Bracket



W08326

Angle Bracket Set



Product Brochure For W07858

W08327
Angle Bracket Set



W08350
Riser Block



W08351
Riser Block



W08255
2000 x 1000mm M28 Pro Series
Welding Table



W08257
2400 x 1200mm M28 Pro Series
Welding Table



W08260
3000 x 1500mm M28 Pro Series
Welding Table

