

Product Brochure For W07864

Straight Bar Stop - WT16-SB200

200 x 30 x 12mm

Suits Ø16mm Welding Tables Holes

On Sale

Ex GST

~~\$45.00~~

\$38.18

Inc GST

~~\$49.50~~

\$42.00



ORDER CODE:	W07864
MODEL:	WT16-SB200
Hole Diameter (Ø):	16mm
Size (mm):	200 x 30 x 12
Number of Holes (No.):	~
Slot Length (mm):	~
Nett Weight (kg):	0.20

METALMASTER



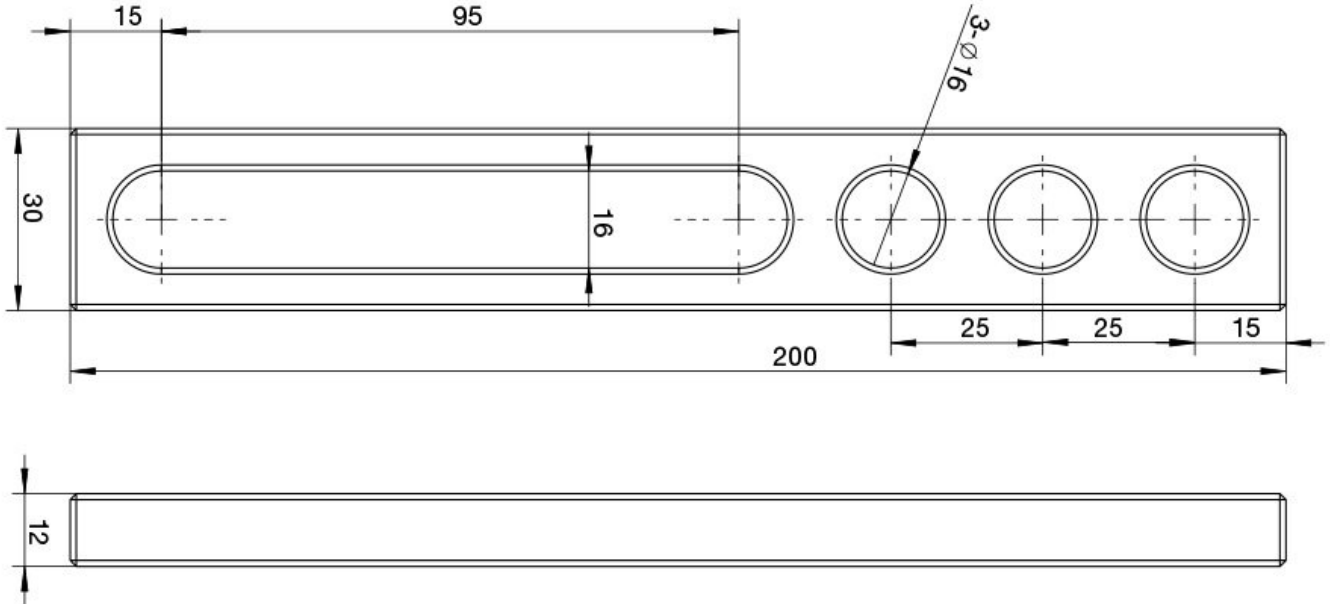
Description

These precision machined straight bar stop to use on any welding table with 16mm fixturing holes. They can be used as a stop, table extension or a platform to allow for infinite adjustments in fixturing.

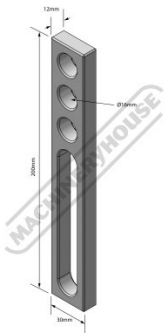
Features

- 16mm precision bored hole
- 12mm thick plate

Product Brochure For W07864



Specific Features



Dimensions

Product Brochure For W07864

Recommended Accessories

W08012

BuildPro V-Block Spacer

W08048

BuildPro Adjustable Ball Lock Bolt

