

Product Brochure For W08307

45 Degree Welding Table Clamp with T-Bar Handle - WT28-C45T

300mm W x 300mm H x 155mm Handle

Suits tables with Ø28mm holes

On Sale

Ex GST

~~\$45.00~~

\$38.18

Inc GST

~~\$49.50~~

\$42.00



ORDER CODE:	W08307
MODEL:	WT28-C45T & 45 Degree
Mount Type:	Ø28mm Shank
Suits Table Hole Size (Ø):	28mm
Throat Depth (mm):	~
Clamp Height Opening (mm):	~
Clamping Force (kg):	~
Quantity Per Pack (No.):	1
Nett Weight (kg):	2.12

METALMASTER



Description

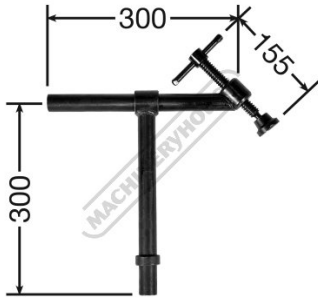
The perfect addition to complement our METALMASTER M28 Pro Series welding tables to give you powerful clamping of your material. Simply drop into the corresponding table or fixture hole for fast & easy clamping via the T-Bar handle, with horizontal adjustment along with easy height adjustment via the retaining ring making its use a breeze.

Features

- Heavy Steel construction
- Horizontal round steel tube design making it fully adjustable
- Ø28mm vertical round steel tube with height adjustment ring
- Swivel clamping pad with cross groove for flat, edge & round clamping
- CNC machined surfaces to ensure precision tolerances

Product Brochure For W08307

Specific Features



Dimensions



Shown On Welding Table

Recommended Accessories

W08280

42pc Welding Table Clamping & Fixturing Kit

W08301

180 Degree Welding Table Clamp with T-Bar Handle

W08304

90 Degree Welding Table Clamp with T-Bar Handle

W08372

Countersink Ball Lock Pin 28 x 50mm



W08370

Ball Lock Pin 28 x 50mm

W08371

Ball Lock Pin 28 x 75mm

W08360

Cross Type 90 / 120° V-Pad

W08340

Straight Bar Stop



Product Brochure For W08307

W08341
 Straight Bar Stop



W08342
 Straight Bar Stop



W08343
 Straight Bar Stop



W08320
 Right Angle Bracket / Stop



W08321
 Right Angle Bracket / Stop



W08324
 Right Angle Bracket / Stop



W08325
 Right Angle Bracket / Stop



W08330
 L Bracket



W08331
 L Bracket



W08335
 T Bracket



W08329
 Adjustable Angle Bracket



W08326
 Angle Bracket Set



Product Brochure For W08307

W08327
Angle Bracket Set



W08350
Riser Block



W08351
Riser Block



W08255
2000 x 1000mm M28 Pro Series
Welding Table



W08257
2400 x 1200mm M28 Pro Series
Welding Table



W08260
3000 x 1500mm M28 Pro Series
Welding Table

