

Product Brochure For W08458

## 600 x 900 x 100mm 3D Welding Table - WT3D-6090E

5mm Steel Plate Construction

**On Sale**

Ex GST

Inc GST

~~\$590.00~~

~~\$649.00~~

**\$526.36**

**\$579.00**



ORDER CODE:	W08458
MODEL:	WT3D-6090E
Type:	3D
Table Hole Diameter (Ø):	16mm
Table Top Size (mm):	600 x 900
Table Height with Stand (mm):	~
Table Side Height (mm):	100
Top Plate Thickness (mm):	5
Grid Pattern (mm):	50 x 50
Table Slots (mm):	~
Table Load Capacity (kg):	~
Nett Weight (kg):	65



### Description

Precision laser cut from 5mm steel this self-weld welding table has been designed with 100mm high sides along with 100mm high inter-locking solid steel ribs to ensure the table surface remains flat during & after assembly. Complete with 16mm laser cut holes with an industry standard 50 x 50mm grid pattern making it the perfect solution for both welding and clamping applications. Supplied standard with powder coated 50mm square tube steel legs complete with adjustable leveling feet ensuring a stable working surface, along with this we also supply caster wheel mounting plates for your convenience, simply cut the legs to match your desired working height, weld on the caster mounting plates & bolt on optional caster wheels to make your welding table a mobile welding station.

NOTE - THIS ITEM COMES FLAT PACKED & REQUIRES ASSEMBLY & WELDING. Additional equipment including a welder is required for assembly, please review our construction guide via our downloads for a list of the required items

### Features

- 600 x 900mm tabletop size
- 5mm steel plate construction
- 16mm laser cut fixing holes at 50mm centres
- 50 x 50mm hole grid pattern
- Heavy 50mm square steel tube legs with adjustable feet
- Supplied standard with caster mounting plates to easily turn your table in a mobile welding station

### Includes

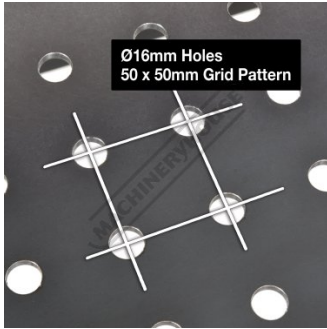
- Weld-on Base Plate Kit for Optional Castor Wheels

### Optional Accessories

- Welding Clamp Set (W08500)
- Caster Wheel Set (C408)

Product Brochure For W08458

Specific Features



16mm Holes with 50 x 50mm Hole Centres



Rib Design for Strength



Steel Leg Bracing with Adjustable Feet



Includes Base Plate Kit for Optional Castor Wheels

Recommended Accessories

W08495

24pc Starter Welding Table Clamp Kit

W08500

40pc Square & Round Welding Table Clamp Kit

W08510

Weld Clamps with Locking Nuts (2 Piece Pack)

W08511

Weld Clamps with Locking Nuts (2 Piece Pack)



W08513

25mm x M12 Multi-Purpose Riser/Stops (Spigot Type) - 4pc Pack

W08515

38mm x M12 Multi-Purpose Riser/Stops (Spigot Type) - 4pc Pack

C408

Industrial Caster Wheel Set

W1081

Multi Angle Corner Magnets - 2pc Pack



Product Brochure For W08458

**W1082**  
 Multi Angle Corner Magnets -  
 2pc Pack



**W10362**  
 Magnetic MIG Torch Rest



**W112**  
 Micro Welding Steel Clamp Set



**W113**  
 Butt Welding Aluminium & Steel  
 Clamp Set



**C0015**  
 Ratchet F Clamp



**W1003**  
 Rogue Welding Jacket



**W1025**  
 4 In One Utility Clamping  
 System



**W1026**  
 4 In One Utility Clamping  
 System



**W1028**  
 4 In One Utility Clamping  
 System



**W1005**  
 Snake Magnet & Spring Clamp



**W1007**  
 Adjust-O Magnet Square -  
 Heavy Duty



**W1012**  
 Adjustable Corner Clamping  
 Plier Set



Product Brochure For W08458

W1013  
 Corner Clamping Plier



W1019  
 Corner Clamp



W1014  
 Pipe Plier - Large



W1015  
 Pipe Plier



W1016  
 Locking C-Clamp - Round Tip



W1017  
 Locking C-Clamp - Swivel Tip



W1020  
 Magnetic Level



W1022  
 MagTab Magnet



W1023  
 MagTab AL Magnet

