

Product Brochure For W1019

## Corner Clamp - UDL365

76mm throat  
 50mm Clamping Capacity



### Description

Fast, precise and affordable clamping tools for corners and T-joints.

### Features

- A quick way to hold work pieces at 90°
- Capable of holding a 3-axis workpiece by adding a Pipe Pliers
- Wide opening offers unobstructed welding access

### Includes

- 1 x Corner clamp

**On Sale - Limited Stock**

Ex GST

~~\$80.00~~

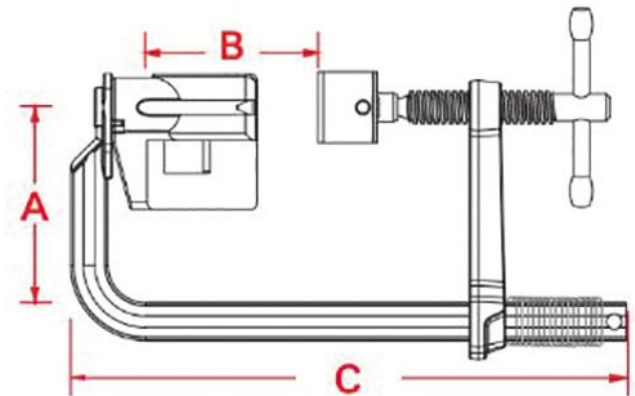
**\$71.82**

Inc GST

~~\$88.00~~

**\$79.00**

ORDER CODE:	W1019
MODEL:	UDL365
Type:	Corner Clamp
Clamping Capacity:	50mm (B)
Locking Handle - Pivot Movement:	~
Clamp Bar - Pivot Movement:	~
Plunger Travel (mm):	~
Throat Depth (mm):	7 (A)
Opening (mm):	~
Size:	~
Quantity Per Pack (No.):	~
Clamping Force (kg):	~
Over all Length (mm):	241 (C)
Nett Weight (kg):	0.8



Product Brochure For W1019

**Specific Features**



Shown With Optional Pipe Plier

**Recommended Accessories**

W07990  
BuildPro Round Stock Plier

W1015  
Pipe Plier

W1014  
Pipe Plier - Large

W1013  
Corner Clamping Plier



W1012  
Adjustable Corner Clamping Plier Set

W1016  
Locking C-Clamp - Round Tip

W1017  
Locking C-Clamp - Swivel Tip

W1020  
Magnetic Level



Product Brochure For W1019

W1022  
 MagTab Magnet



W1023  
 MagTab AL Magnet



W112  
 Micro Welding Steel Clamp Set



W113  
 Butt Welding Aluminium & Steel Clamp Set



C0015  
 Ratchet F Clamp



W07970  
 BuildPro Magspring Clamp



W07971  
 BuildPro Magspring Clamp



W1028  
 4 In One Utility Clamping System



W1026  
 4 In One Utility Clamping System



W1025  
 4 In One Utility Clamping System



W1005  
 Snake Magnet & Spring Clamp



W1007  
 Adjust-O Magnet Square - Heavy Duty

