

Product Brochure For W1027

## 4 In One Utility Clamping System - UG85M-C3

215mm Clamping Capacity  
**550kg Clamping Force**



ORDER CODE:	W1027
MODEL:	UG85M-C3
Type:	Utility Clamp
Clamping Capacity:	215mm
Locking Handle - Pivot Movement:	~
Clamp Bar - Pivot Movement:	~
Plunger Travel (mm):	~
Throat Depth (mm):	120
Opening (mm):	~
Size:	~
Quantity Per Pack (No.):	~
Clamping Force (kg):	550kg
Over all Length (mm):	~
Nett Weight (kg):	1.9



### Description

ONE CLAMP FOUR FUNCTIONS:

The most versatile & economical sliding arm clamp available. Each clamp comes complete with a V-Pad and Extender Block. The threaded hole on the base simply allows the attachment to screw & lock into position.

Sliding Arm Clamps with the Removable / Reversible Clamp Arm and Unique Accessories

Professional Quality at an Affordable Price.

### Features

- Made of heat treated alloy steel and nickel/chrome plated for strength and durability
- Sliding arm clamps are 10x faster than conventional C-clamps
- The exclusive V-Pad enable pipe clamping
- Reverse the clamp arm and attachment to create a spreader clamp
- The extender block allows step over clamping with ease

### Includes

- The three piece 4-in-1 Clamp Kit includes:
- Sliding Arm Clamp
- Extended Block
- V-Pad

Product Brochure For W1027

**Specific Features**



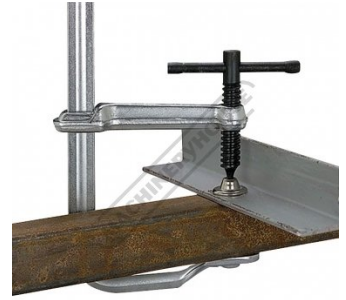
V Pad Jaw



With Extender Block Jaw



Clamping With Step Over



Clamping Steel



Clamping Steel Pipe



Shown As Spreader

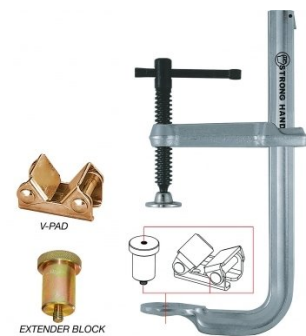
**Recommended Accessories**

W1028  
 4 In One Utility Clamping  
 System

W1026  
 4 In One Utility Clamping  
 System

W1025  
 4 In One Utility Clamping  
 System

C0015  
 Ratchet F Clamp



Product Brochure For W1027

W1003  
 Rogue Welding Jacket



W1005  
 Snake Magnet & Spring Clamp



W1007  
 Adjust-O Magnet Square - Heavy Duty



W1012  
 Adjustable Corner Clamping Plier Set



W1013  
 Corner Clamping Plier



W1019  
 Corner Clamp



W1014  
 Pipe Plier - Large



W1015  
 Pipe Plier



W1016  
 Locking C-Clamp - Round Tip



W1017  
 Locking C-Clamp - Swivel Tip



W1020  
 Magnetic Level



W1022  
 MagTab Magnet



Product Brochure For W1027

---

W1023

MagTab AL Magnet



W112

Micro Welding Steel Clamp Set



W113

Butt Welding Aluminium & Steel  
Clamp Set

