

Product Brochure For W1028

## 4 In One Utility Clamping System - UF65M-C3

165mm Clamping Capacity  
 460kg Clamping Force

**On Sale - Limited Stock**

Ex GST

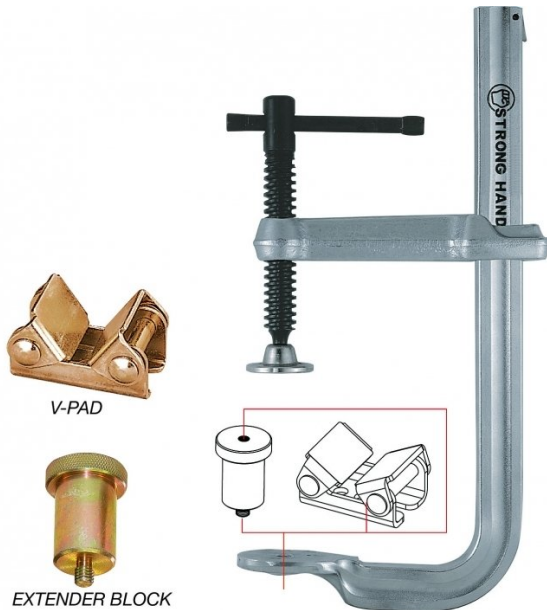
Inc GST

~~\$70.00~~

~~\$77.00~~

**\$62.73**

**\$69.00**



V-PAD

EXTENDER BLOCK

ORDER CODE:	W1028
MODEL:	UF65M-C3
Type:	Utility Clamp
Clamping Capacity:	165mm
Locking Handle - Pivot Movement:	~
Clamp Bar - Pivot Movement:	~
Plunger Travel (mm):	~
Throat Depth (mm):	120
Opening (mm):	~
Size:	~
Quantity Per Pack (No.):	~
Clamping Force (kg):	460kg
Over all Length (mm):	~
Nett Weight (kg):	1.3



### Description

ONE CLAMP FOUR FUNCTIONS:

The most versatile & economical sliding arm clamp available. Each clamp comes complete with a V-Pad and Extender Block. The threaded hole on the base simply allows the attachment to screw & lock into position.

Sliding Arm Clamps with the Removable / Reversible Clamp Arm and Unique Accessories

Professional Quality at an Affordable Price.

### Features

- Made of heat treated alloy steel and nickel/chrome plated for strength and durability
- Sliding arm clamps are 10x faster than conventional C-clamps
- The exclusive V-Pad enable pipe clamping
- Reverse the clamp arm and attachment to create a spreader clamp
- The extender block allows step over clamping with ease

### Includes

- The three piece 4-in-1 Clamp Kit includes:
- Sliding Arm Clamp
- Extended Block
- V-Pad

Product Brochure For W1028

**Specific Features**



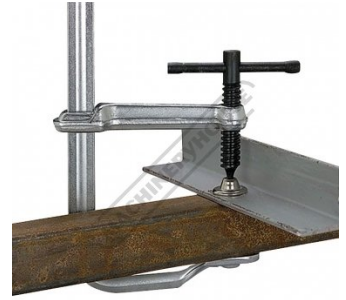
V Pad Jaw



With Extender Block Jaw



Clamping With Step Over



Clamping Steel



Clamping Steel Pipe



Shown As Spreader

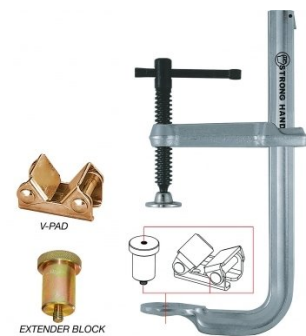
**Recommended Accessories**

**W1026**  
 4 In One Utility Clamping System

**W1025**  
 4 In One Utility Clamping System

**C0015**  
 Ratchet F Clamp

**W1003**  
 Rogue Welding Jacket



Product Brochure For W1028

**W1005**  
 Snake Magnet & Spring Clamp



**W1007**  
 Adjust-O Magnet Square - Heavy Duty



**W1012**  
 Adjustable Corner Clamping Plier Set



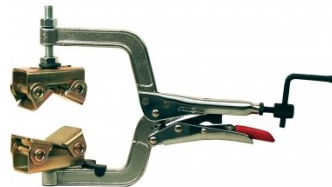
**W1013**  
 Corner Clamping Plier



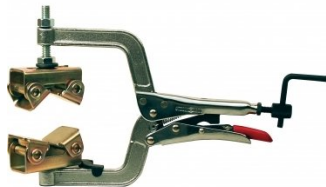
**W1019**  
 Corner Clamp



**W1014**  
 Pipe Plier - Large



**W1015**  
 Pipe Plier



**W1016**  
 Locking C-Clamp - Round Tip



**W1017**  
 Locking C-Clamp - Swivel Tip



**W1020**  
 Magnetic Level



**W1022**  
 MagTab Magnet



**W1023**  
 MagTab AL Magnet



Product Brochure For W1028

---

W112

Micro Welding Steel Clamp Set



W113

Butt Welding Aluminium & Steel  
Clamp Set

