

Product Brochure For W1091

Magnetic Swivel V-Pad Clamps - WMVP-2M

4pc Pack
 10kg Pull Force

On Sale

Ex GST	Inc GST
\$22.00	\$24.20
\$18.18	\$20.00



ORDER CODE:	W1091
MODEL:	WMVP-2M
Type:	Magnetic Swivel V-Pad Clamps
Size:	~
Quantity Per Pack (No.):	4
Magnet Clamp Angle (deg):	~
Pull Force (kg):	10
Nett Weight (kg):	~



Description

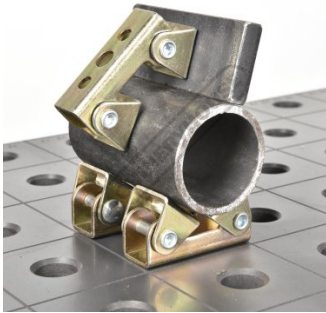
The swiveling magnetic jaws will hold almost any round or flat part. The dual swivel pads feature strong magnets to aid in holding your work piece. The base includes a through 8mm hole so that it can be used to attach to your jigs or welding table fixtures. Sold in a pack of 4pcs.

Features

- Hold and position round, flat and square parts in multiple applications
- Each V-Pad contains 2 rare earth magnets
- Adjustable multi-purpose fixture clamps
- Hold and position steel
- Ø8mm Fixture hole

Product Brochure For W1091

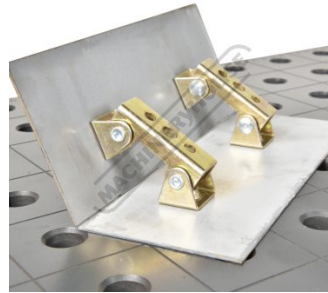
Specific Features



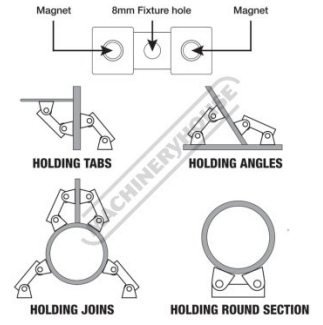
Holding Round Sections and Tabs



Holding Angles



Holding Sheet Metal



Overview

Recommended Accessories

W1081

Multi Angle Corner Magnets - 2pc Pack



W1082

Multi Angle Corner Magnets - 2pc Pack



W1085

Switchable Multi-Angle Welding Magnet



W1086

Switchable Multi-Angle Welding Magnet



W1071

Switchable Multi-Angle Welding Magnet



W1072

Switchable Multi-Angle Welding Magnet

