

Product Brochure For W112

Micro Welding Steel Clamp Set - MWC-4

0 - 7mm Clamping Thickness

Set of 4 Clamps

On Sale

Ex GST

\$27.00

\$22.73

Inc GST

\$29.70

\$25.00



ORDER CODE:	W112
MODEL:	MWC-4
Type:	Micro Steel Clamp Set
Clamping Capacity:	0 - 7mm
Locking Handle - Pivot Movement:	~
Clamp Bar - Pivot Movement:	~
Plunger Travel (mm):	~
Throat Depth (mm):	~
Opening (mm):	~
Size:	~
Quantity Per Pack (No.):	4
Clamping Force (kg):	~
Over all Length (mm):	~
Nett Weight (kg):	~

METALMASTER



Description

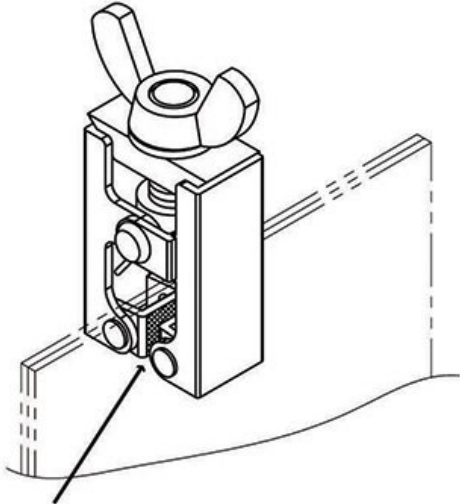
A fast and effective method of fastening materials for pinch/spot welding.

Unique design generates huge clamping force ideal for automotive applications and especially effective for positioning body panels prior to welding in small spaces such as windows edges, door columns & hatch backs etc.

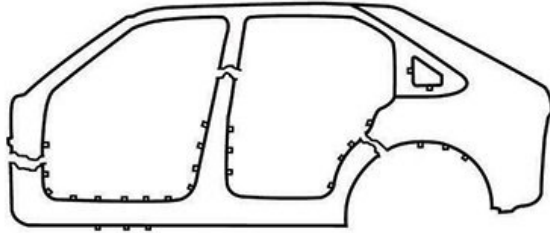
Features

- Manufactured from steel
- Adjustable thickness clamp from 0 to 7mm
- Self aligning & serrated clamp faces for increased grip
- Spring loaded opening via thumb lock

Product Brochure For W112



Flex joint clamp



Specific Features



Close Up View

Product Brochure For W112

Recommended Accessories

W113
 Butt Welding Aluminium & Steel
 Clamp Set



C0015
 Ratchet F Clamp



W1025
 4 In One Utility Clamping
 System



W1026
 4 In One Utility Clamping
 System



W1003
 Rogue Welding Jacket



W1005
 Snake Magnet & Spring Clamp



W1007
 Adjust-O Magnet Square -
 Heavy Duty



W1012
 Adjustable Corner Clamping
 Plier Set



Product Brochure For W112

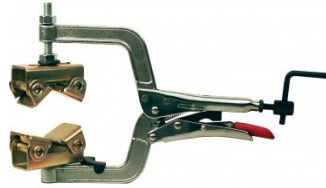
W1013
 Corner Clamping Plier



W1019
 Corner Clamp



W1014
 Pipe Plier - Large



W1015
 Pipe Plier



W1016
 Locking C-Clamp - Round Tip



W1017
 Locking C-Clamp - Swivel Tip



W1020
 Magnetic Level



W1022
 MagTab Magnet



W1023
 MagTab AL Magnet

