

Product Brochure For W113

## Butt Welding Aluminium & Steel Clamp Set - BWC-4

0 - 3mm Clamping Thickness

Set of 4 Clamps

**On Sale**

Ex GST

Inc GST

~~\$29.00~~

~~\$31.90~~

**\$24.55**

**\$27.00**



ORDER CODE:	W113
MODEL:	BWC-4
Type:	Butt Welding Clamp Set
Clamping Capacity:	0 - 3mm
Locking Handle - Pivot Movement:	~
Clamp Bar - Pivot Movement:	~
Plunger Travel (mm):	~
Throat Depth (mm):	16
Opening (mm):	~
Size:	16 x 30mm Clamp Area
Quantity Per Pack (No.):	~
Clamping Force (kg):	Finger Thumb Lock
Over all Length (mm):	~
Nett Weight (kg):	0.38

METALMASTER



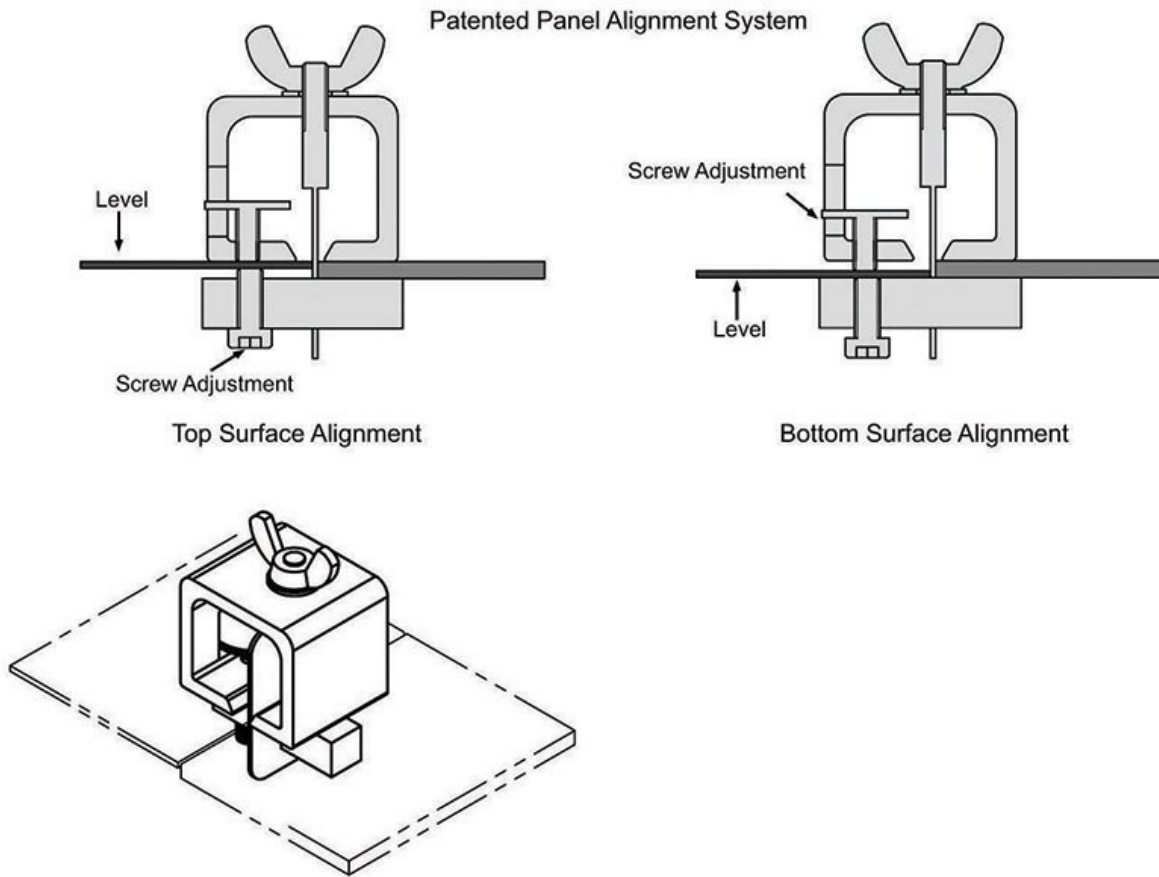
### Description

A simple and efficient way of ensuring a perfect welded butt joint.  
 Holds panels edge to edge with almost no gap - allowing full penetration of the weld.  
 Patented level adjustment allows accurate joining of dissimilar thicknesses of materials.  
 Level adjustment allows flat alignment of top or bottom surface of panels.

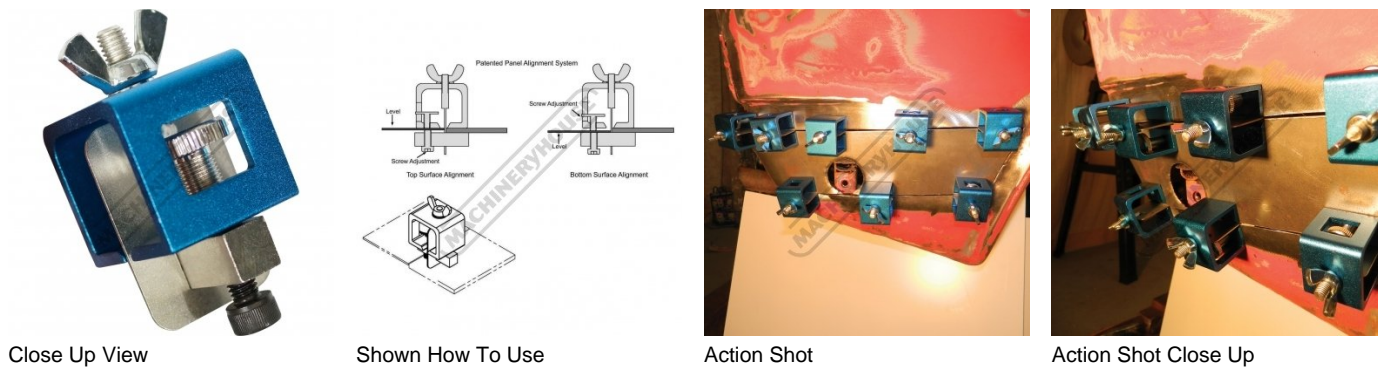
### Features

- Manufactured from steel with an aluminium body
- Level adjusting screws between 0 to 3mm either side
- Knurled adjusting screw head

Product Brochure For W113



**Specific Features**



Product Brochure For W113



Action Shot Car

**Recommended Accessories**

W112  
 Micro Welding Steel Clamp Set



C0015  
 Ratchet F Clamp



W1025  
 4 In One Utility Clamping System



W1026  
 4 In One Utility Clamping System



W1003  
 Rogue Welding Jacket



W1005  
 Snake Magnet & Spring Clamp



W1007  
 Adjust-O Magnet Square - Heavy Duty



W1012  
 Adjustable Corner Clamping Plier Set



Product Brochure For W113

W1013  
 Corner Clamping Plier



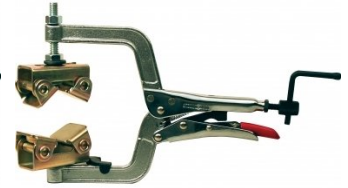
W1019  
 Corner Clamp



W1014  
 Pipe Plier - Large



W1015  
 Pipe Plier



W1016  
 Locking C-Clamp - Round Tip



W1017  
 Locking C-Clamp - Swivel Tip



W1020  
 Magnetic Level



W1022  
 MagTab Magnet



W1023  
 MagTab AL Magnet

