

Product Brochure For W30487

## 15mm - Square Carbide Insert

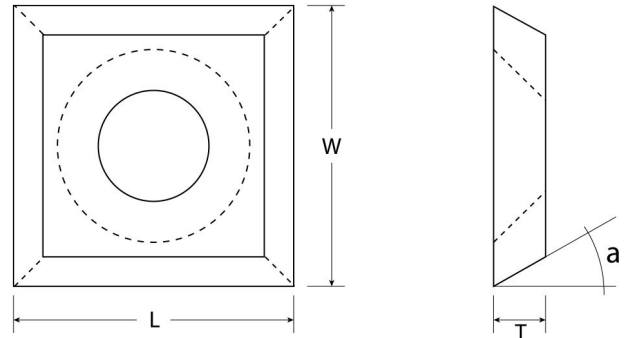
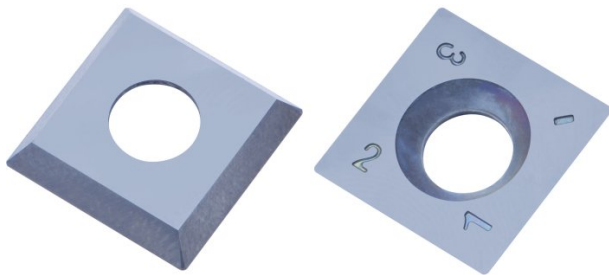
2 Piece Pack

**Coming Soon**

**Ex GST**  
**\$24.00**

**Inc GST**  
**\$26.40**

|               |                                  |
|---------------|----------------------------------|
| ORDER CODE:   | W30487                           |
| MODEL:        | ~                                |
| Type:         | Square Carbide Insert            |
| No. of Piece: | 2                                |
| Thread Size:  | ~                                |
| D:            | ~                                |
| L (mm):       | 15                               |
| W (mm):       | 15                               |
| T (mm):       | 2.5                              |
| a (deg):      | 30°                              |
| Suits:        | Wood Turning Tools - Insert Type |



### Description

Replacement square tungsten carbide inserts are designed to suit carbide woodturning chisels. Ideal for roughing, shaping and general-purpose turning, this durable cutter provides a long service life and delivers a clean, smooth finish on a wide range of timbers.

Unlike traditional HSS tools, the carbide insert requires no sharpening. Simply rotate the cutter to a fresh edge when dull, extending tool life and reducing downtime. When all cutting edges have been used, replace the insert and continue turning.

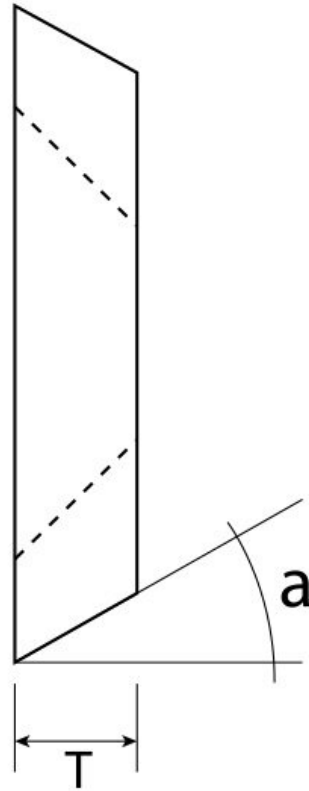
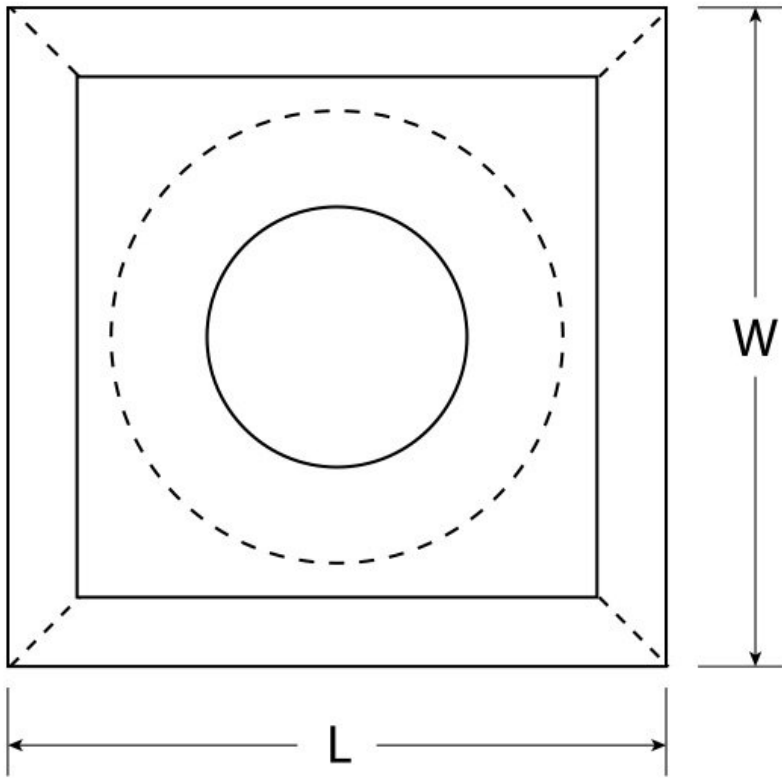
### Features

- Square tungsten carbide insert
- Suits carbide woodturning chisel sets
- Four usable cutting edges for extended life
- Produces a smooth, clean finish
- No sharpening required
- Rotate cutter when dull for a fresh cutting edge
- Ideal for roughing, shaping and general turning applications
- Supplied as a convenient 2-piece pack

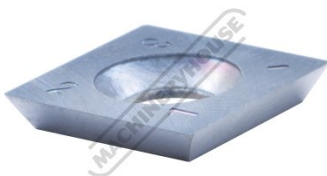
### Includes

- 2 Piece Pack

Product Brochure For W30487



**Specific Features**



Low View

Product Brochure For W30487

---

**Recommended Accessories**

W30495

M5 - Torx Head Screw



W3047

Wood Turning Set - 4 Piece

